

Potomac 10SG

MP BUILD

2008 0123

INVENTEC

TITLE
Potomac 10SG

SIZE	CODE	DOC. NUMBER	REV
A3	CS	Model No	X01

CHANGE by *Drawer Name* 24-Jan-2008

SHEET 1 OF 63

TABLE OF CONTENTS

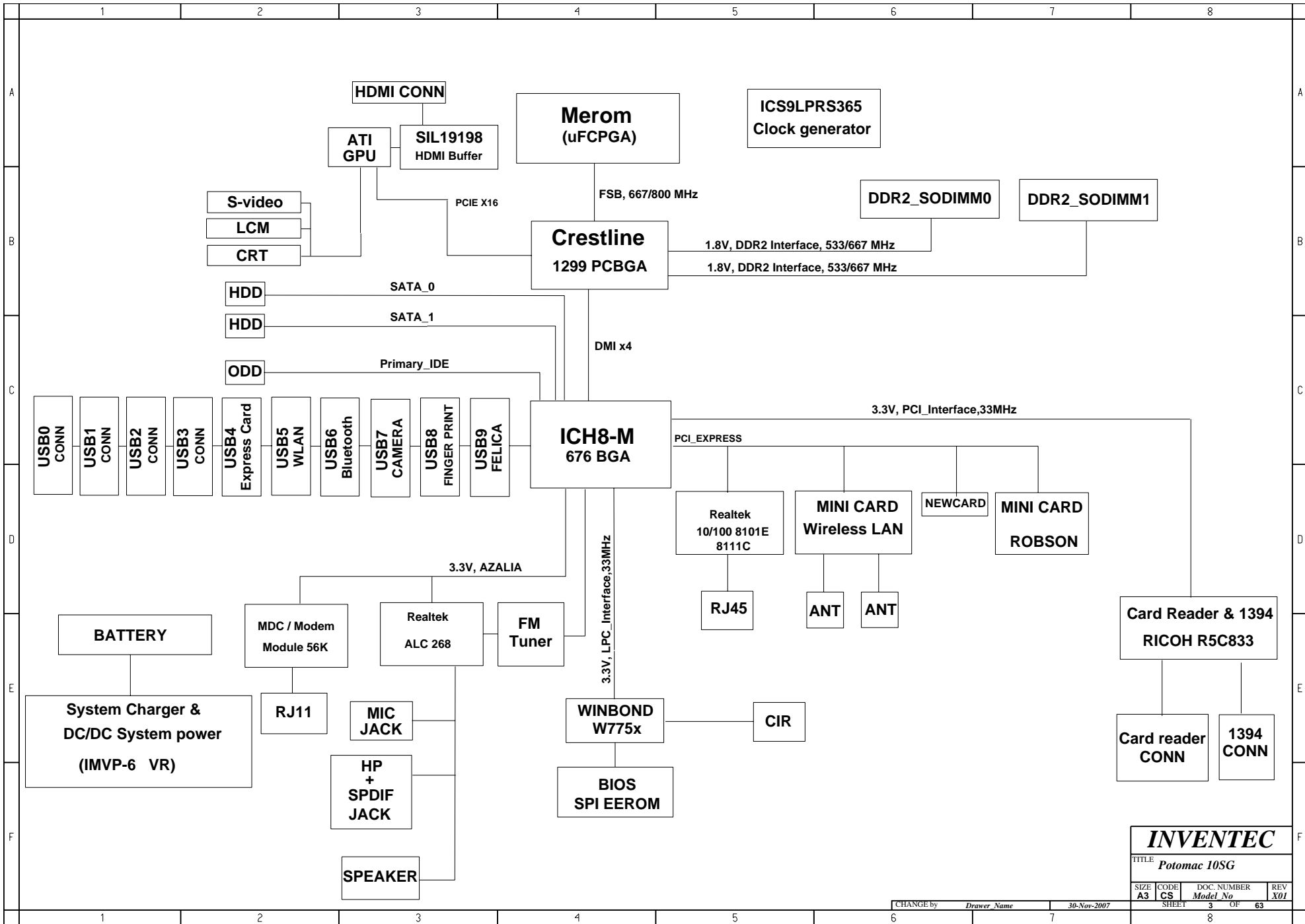
PAGE

PAGE

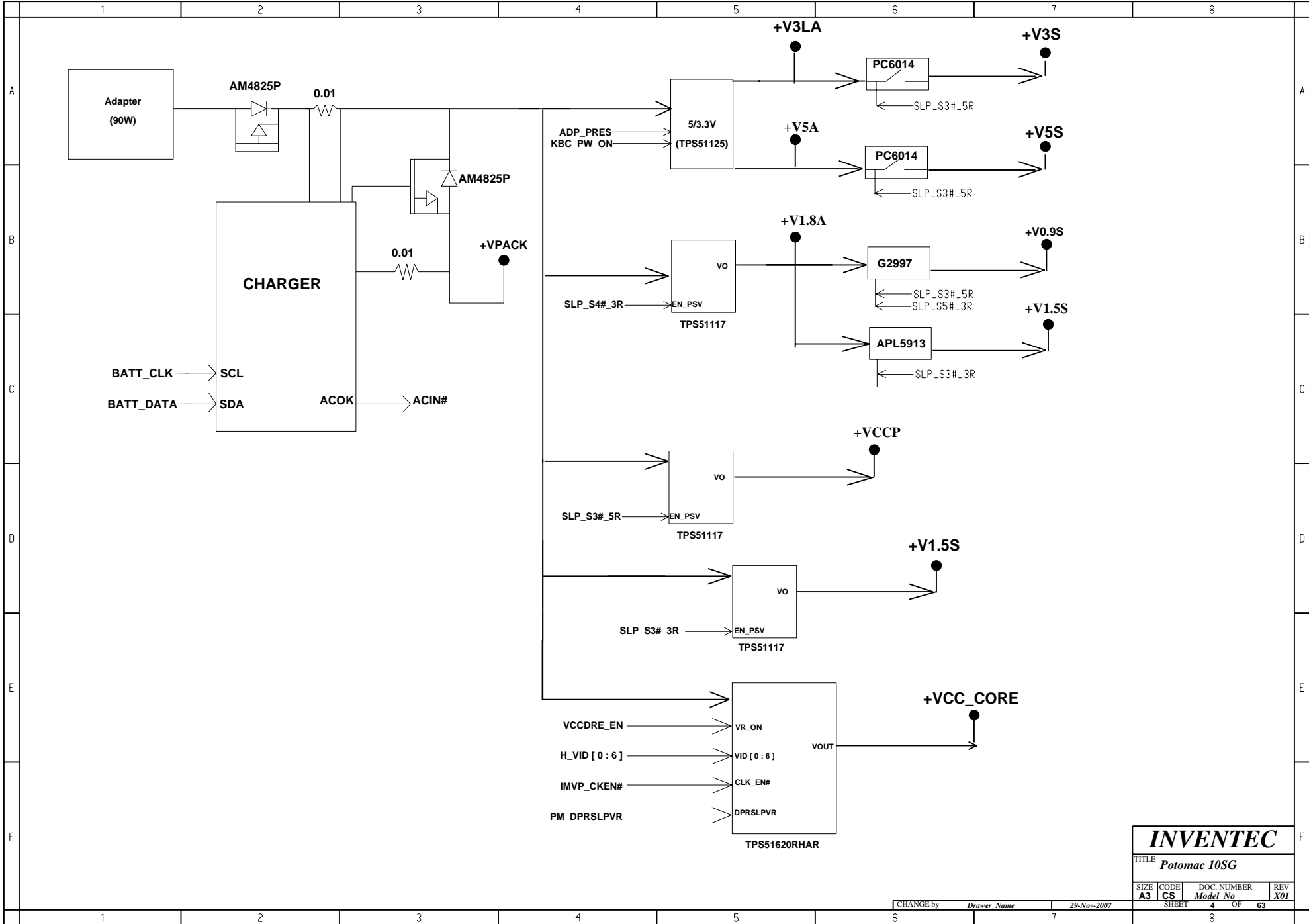
PAGE

<p>1.COVER PAGE 2.INDEX 3.BLOCK DIAGRAM 4.POWER SEQUENCE BLOCK 5-12.SYSTEM POWER 13.CLOCK GENERATOR 14.CPU Merom1 15.CPU Merom2 16.CPU Merom3 17.CPU Merom4 18.FAN & THERMAL CONTROLLER 19.N/B Crestline 1 20.N/B Crestline 2 21.N/B Crestline 3 22.N/B Crestline 4 23.N/B Crestline 5 24.N/B Crestline 6 25.N/B Crestline 7 26.DDR2 DIMM0 27.DDR2 DIMM1 28.DDR DAMPING 29.MXM CONN 30.CRT CONN 31.S-VIDEO CONN 32.LCM CONN</p>	<p>33. HDMI TRANSMITTER 34.HDMI CONN & CIR 35.S/B ICH8 1 36.S/B ICH8 2 37.S/B ICH8 3 38.S/B ICH8 4 39.S/B ICH8 5 40.SATA CONN 41.USB CONN 42.Felica & Camera CONN & Fingerprint 43.Bluetooth CONN 44.EC 45.K/B & TP/B CONN 46.AZALIA CODEC 47.AUDIO AMP 48.Audio JACKs 49.LAN Controller 50.RJ45 & Transformer 51.ODD CONN 52.1394/Cardreader Controller 53.5 in 1 & 1394 CONN 54.Express Card CONN 55.ROBSON & WLAN 56.Broadcom Accelerator 57.MDC 1.5 CONN</p>	<p>58.LED(M/B) & HOTKEY/B CONN 59.Fingerprint & Power Button 60.FM tuner 61.KILL SWITCH& HALL SENSOR 62.DRILL HOLE 63.EMI</p>
-------------------------------------------------------------------------------------------------------------------------------------------------------------------------------------------------------------------------------------------------------------------------------------------------------------------------------------------------------------------------------------------------------------------------------------------------------------------------------------------------------------------------------------------------------------------------------------------------------------------------------------------------------------------------------------------------------------------------------------------------------------------------------------------------------------------------------------------------------------------------------------------------------------------------------------------------------------	----------------------------------------------------------------------------------------------------------------------------------------------------------------------------------------------------------------------------------------------------------------------------------------------------------------------------------------------------------------------------------------------------------------------------------------------------------------------------------------------------------------------------------------------------------------------------------------------------------------------------------------------------------------------------------------------------------------------------------------------------------------------------------------------------------------------------------------------------------------------------------------------------------------------------------------------------------------------------------------------------------------------	----------------------------------------------------------------------------------------------------------------------------------------------------------------------------------------------------------------------------------------------------

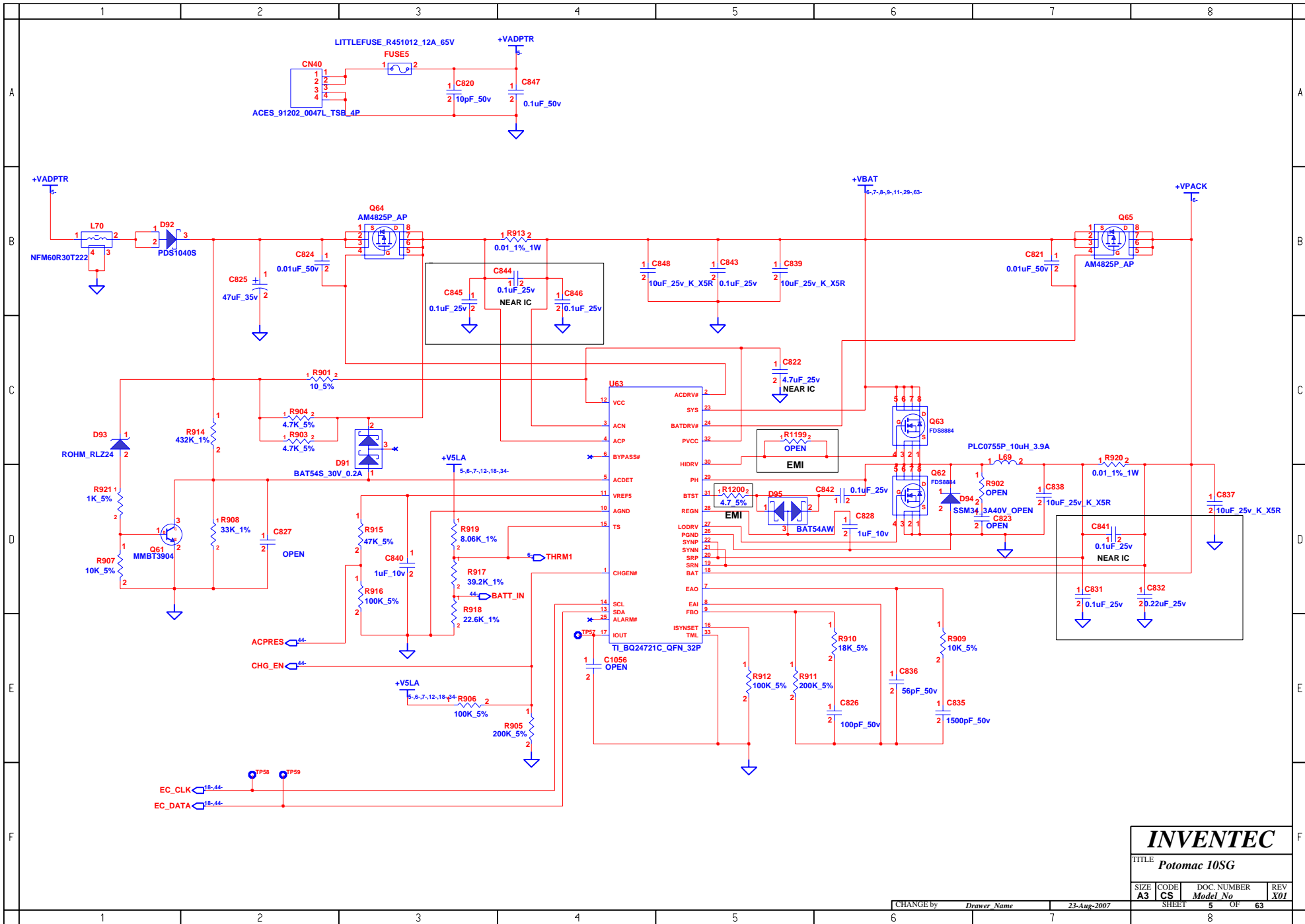
INVENTEC			
TITLE <i>Potomac 10SG</i>			
SIZE A3	CODE CS	DOC. NUMBER <i>Model No</i>	REV X01
CHANGE by <i>Drawer Name</i>		30-Oct-2007	
SHEET 2		OF 63	



INVENTEC			
TITLE <i>Potomac 10SG</i>			
SIZE A3	CODE CS	DOC. NUMBER <i>Model No</i>	REV X01
CHANGE by <i>Drawer Name</i>		30-Nov-2007	
SHEET 3		OF 63	



INVENTEC			
TITLE <i>Potomac 10SG</i>			
SIZE A3	CODE CS	DOC. NUMBER <i>Model No</i>	REV X01
CHANGE by <i>Drawer Name</i>		29-Nov-2007	SHEET 4 OF 63



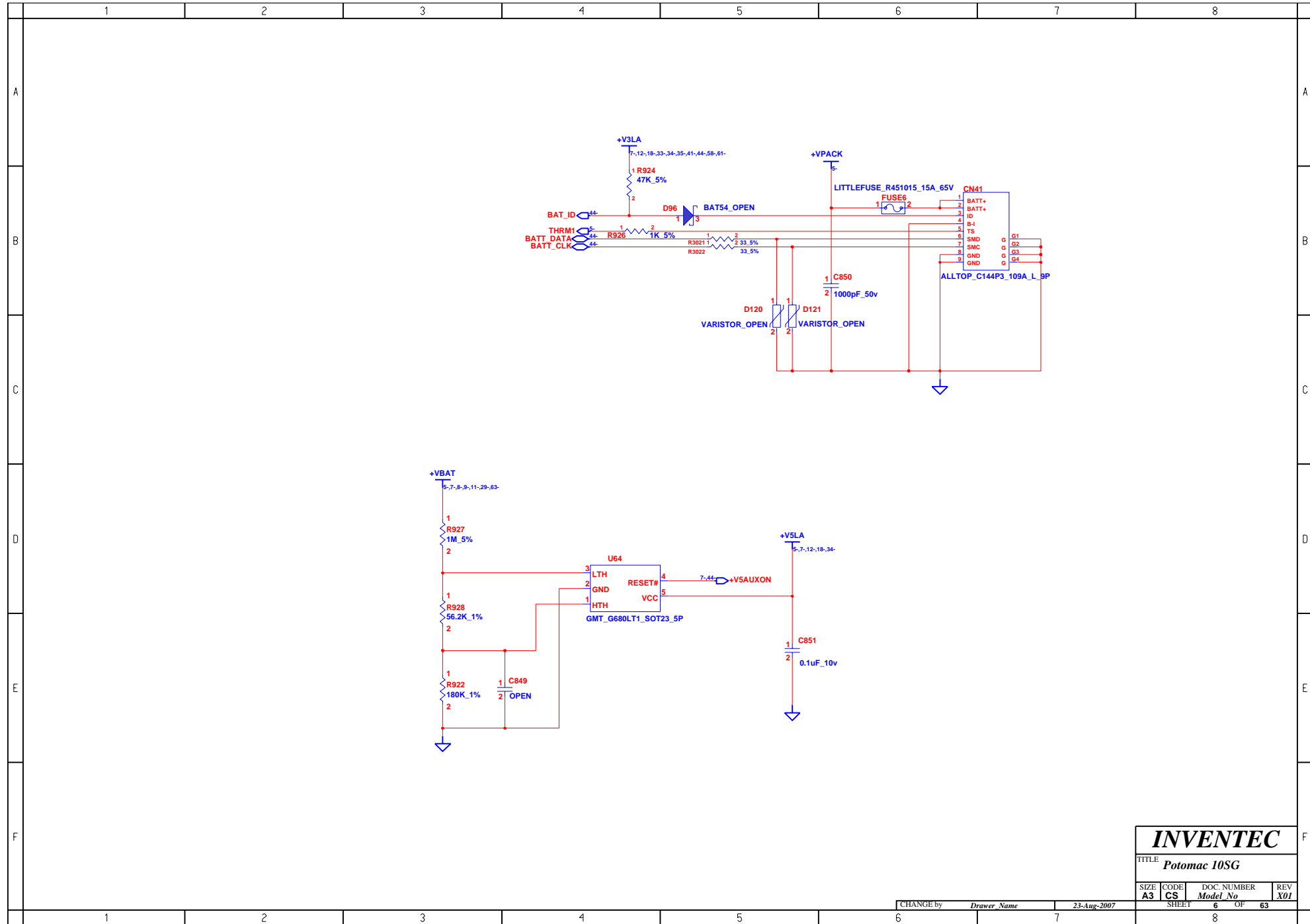
INVENTEC

TITLE
Potomac 10SG

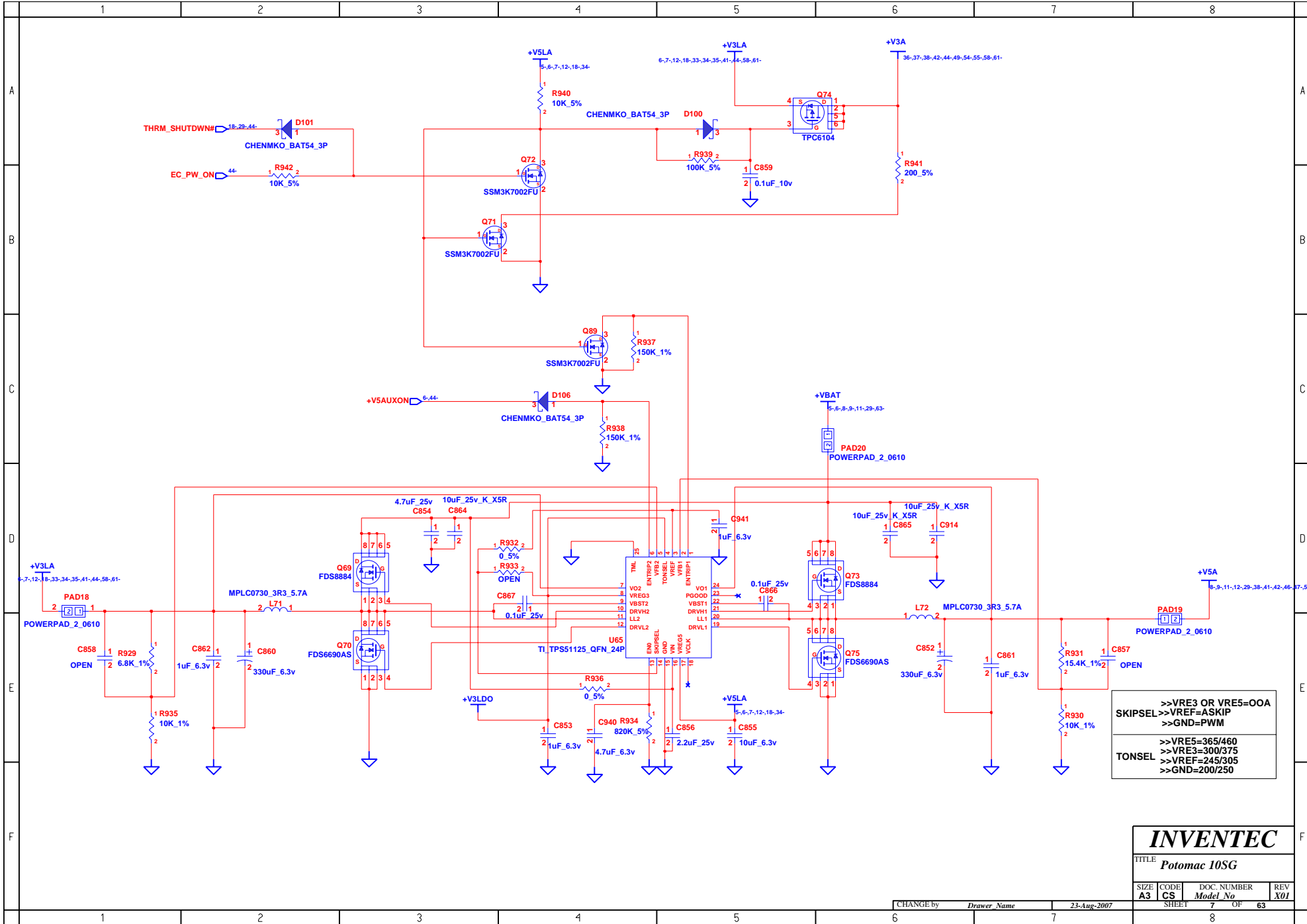
SIZE	CODE	DOC. NUMBER	REV
A3	CS	Model No	X01

CHANGE by *Drawer Name* 23-Aug-2007

SHEET	OF	63
5		



INVENTEC			
TITLE <i>Potomac 10SG</i>			
SIZE A3	CODE CS	DOC. NUMBER <i>Model No</i>	REV X01
CHANGE by <i>Drawer Name</i>		23-Aug-2007	SHEET 6 OF 63



>>VRE3 OR VRE5=00A
 >>SKIPSEL>>VREF=ASKIP
 >>GND=PWM

 >>VRE5=365/460
 >>VRE3=300/375
 >>VREF=245/305
 >>GND=200/250

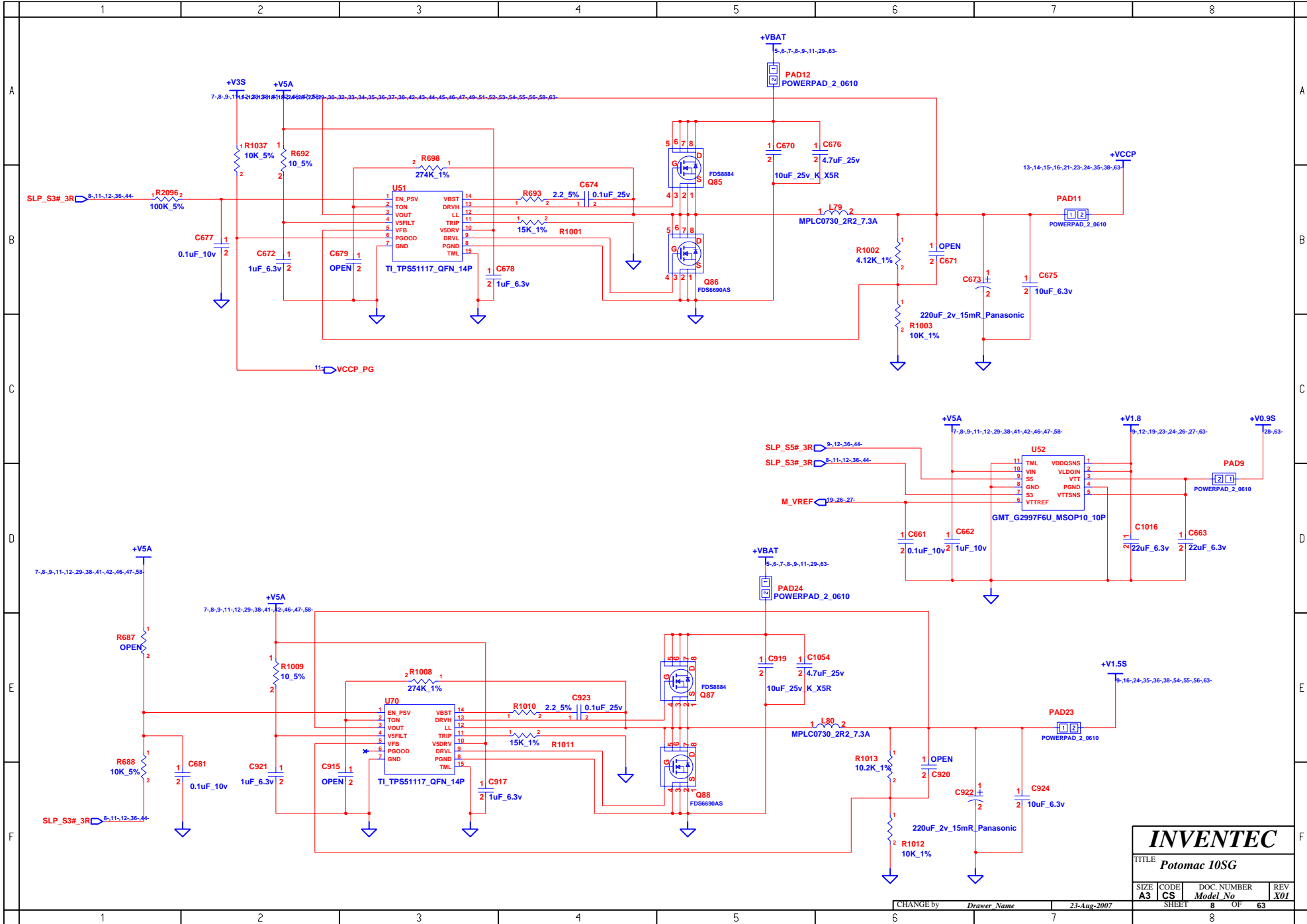
INVENTEC

TITLE
Potomac 10SG

SIZE A3	CODE CS	DOC. NUMBER Model No	REV X01
-------------------	-------------------	--------------------------------	-------------------

CHANGE by *Drawer Name* 23-Aug-2007

SHEET 7 OF 63

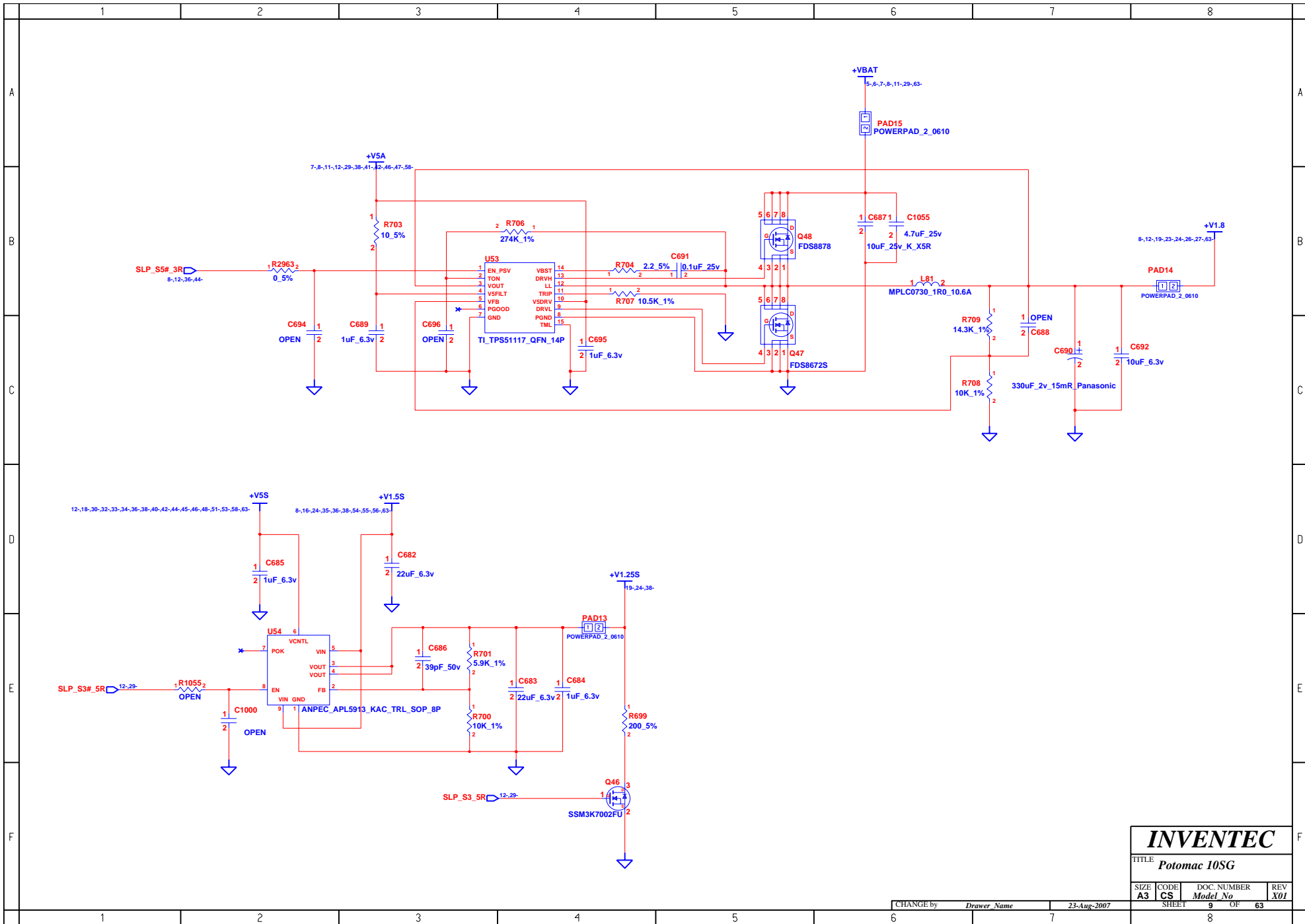


INVENTEC

TITLE
Potomac 10SG

SIZE A3	CODE CS	DOC. NUMBER <i>Model No</i>	REV X01
-------------------	-------------------	--------------------------------	-------------------

SHEET 8 OF 63



INVENTEC

TITLE
Potomac 10SG

SIZE	CODE	DOC. NUMBER	REV
A3	CS	Model No	X01

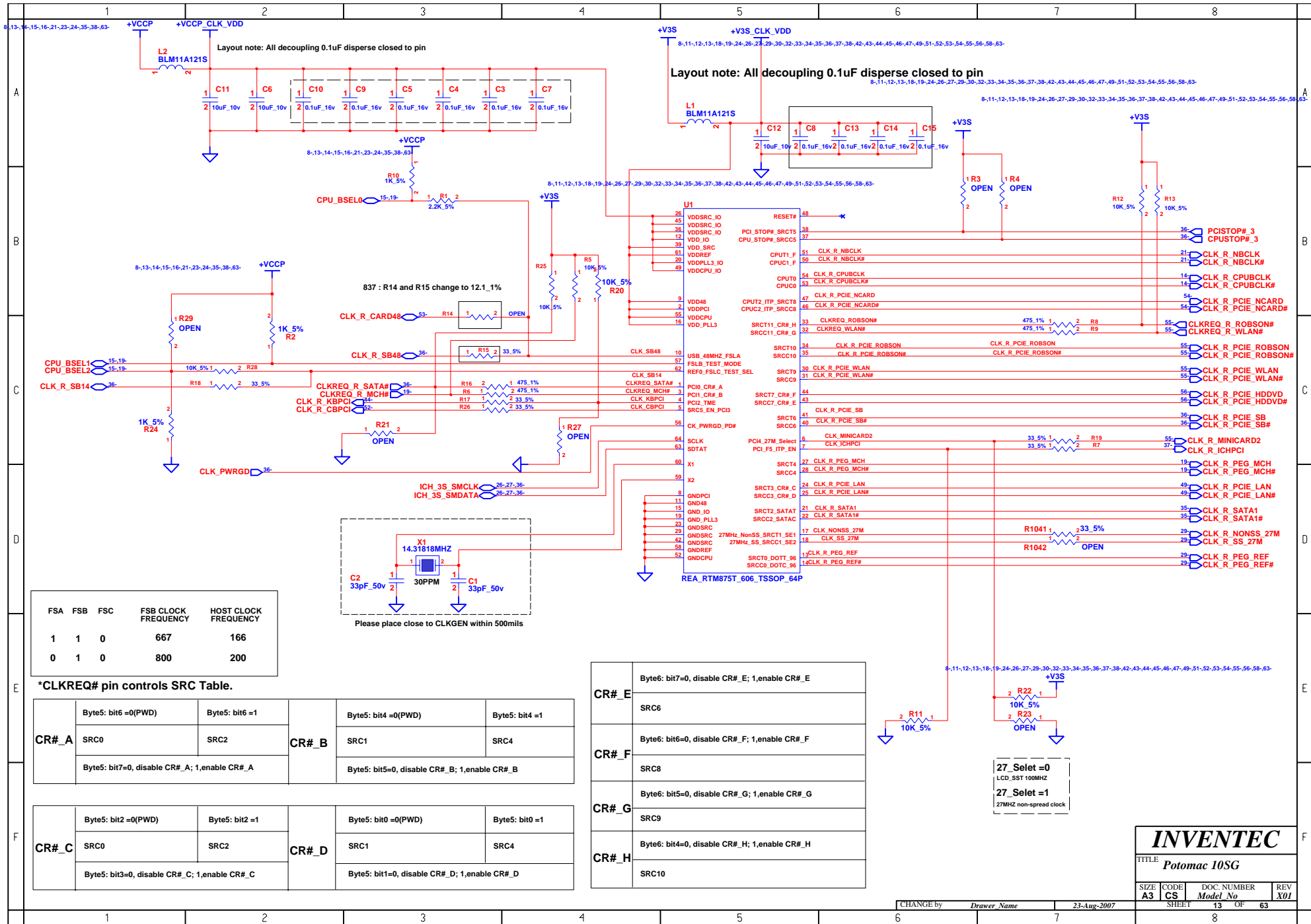
CHANGE by *Drawer Name* 23-Aug-2007

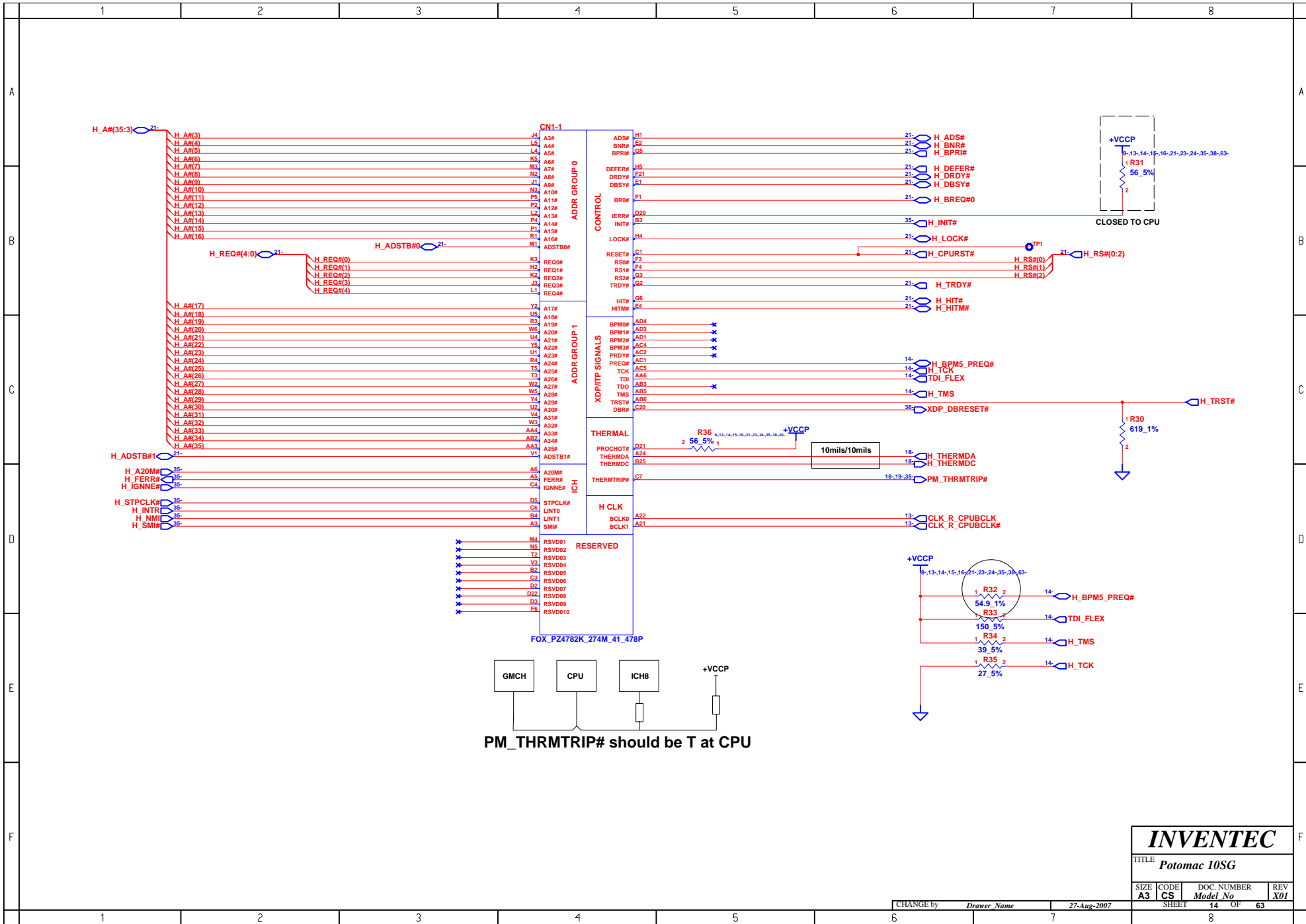
SHEET 9 OF 63

BLANK

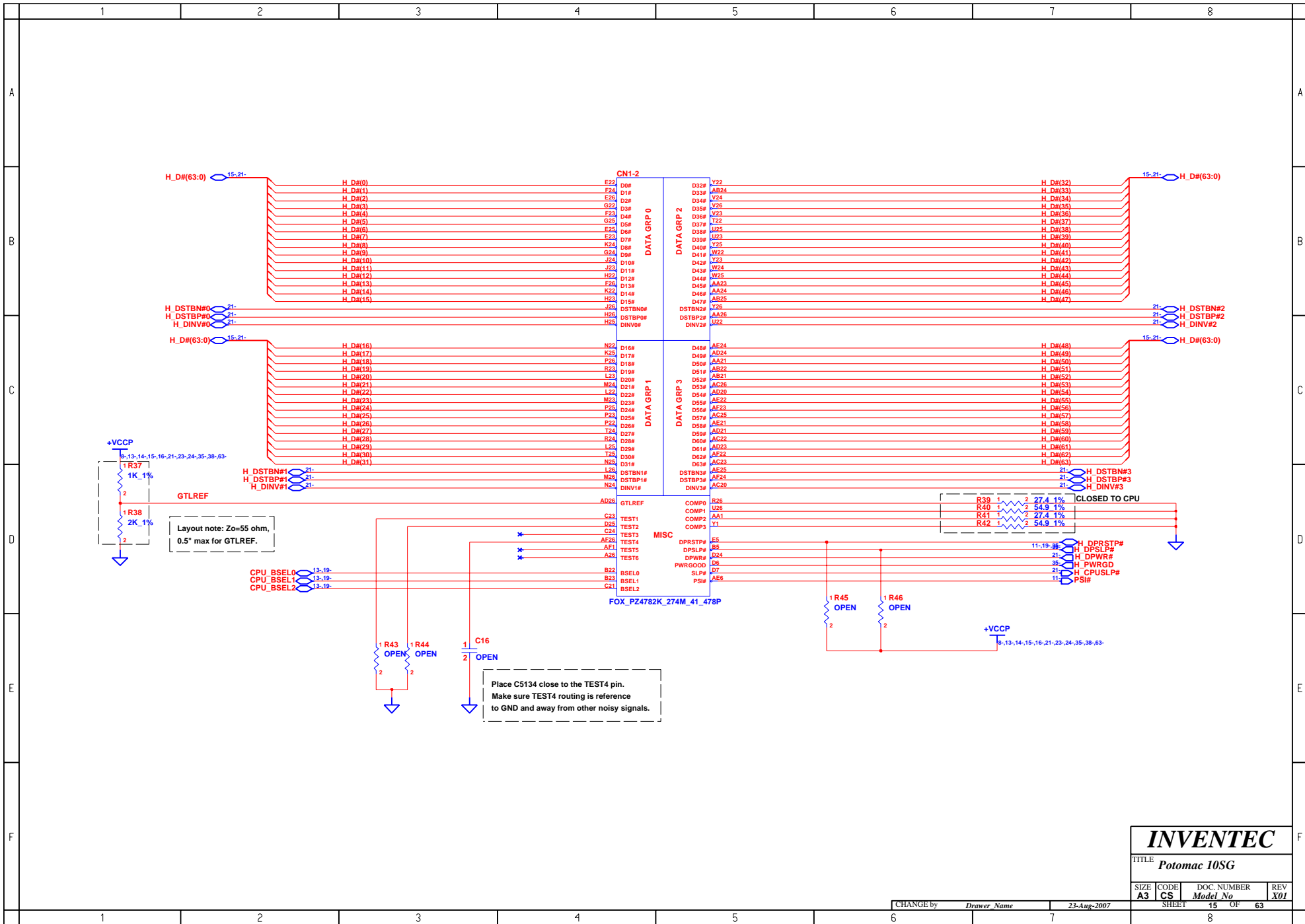
INVENTEC			
TITLE <i>Potomac 10SG</i>			
SIZE	CODE	DOC. NUMBER	REV
A3	CS	<i>Model No</i>	X01
CHANGE by <i>Drawer Name</i>		23-Aug-2007	SHEET 10 OF 63

	1	2	3	4	5	6	7	8	
A									A
B									B
C									C
D									D
E									E
F									F
	1	2	3	4	5	6	7	8	

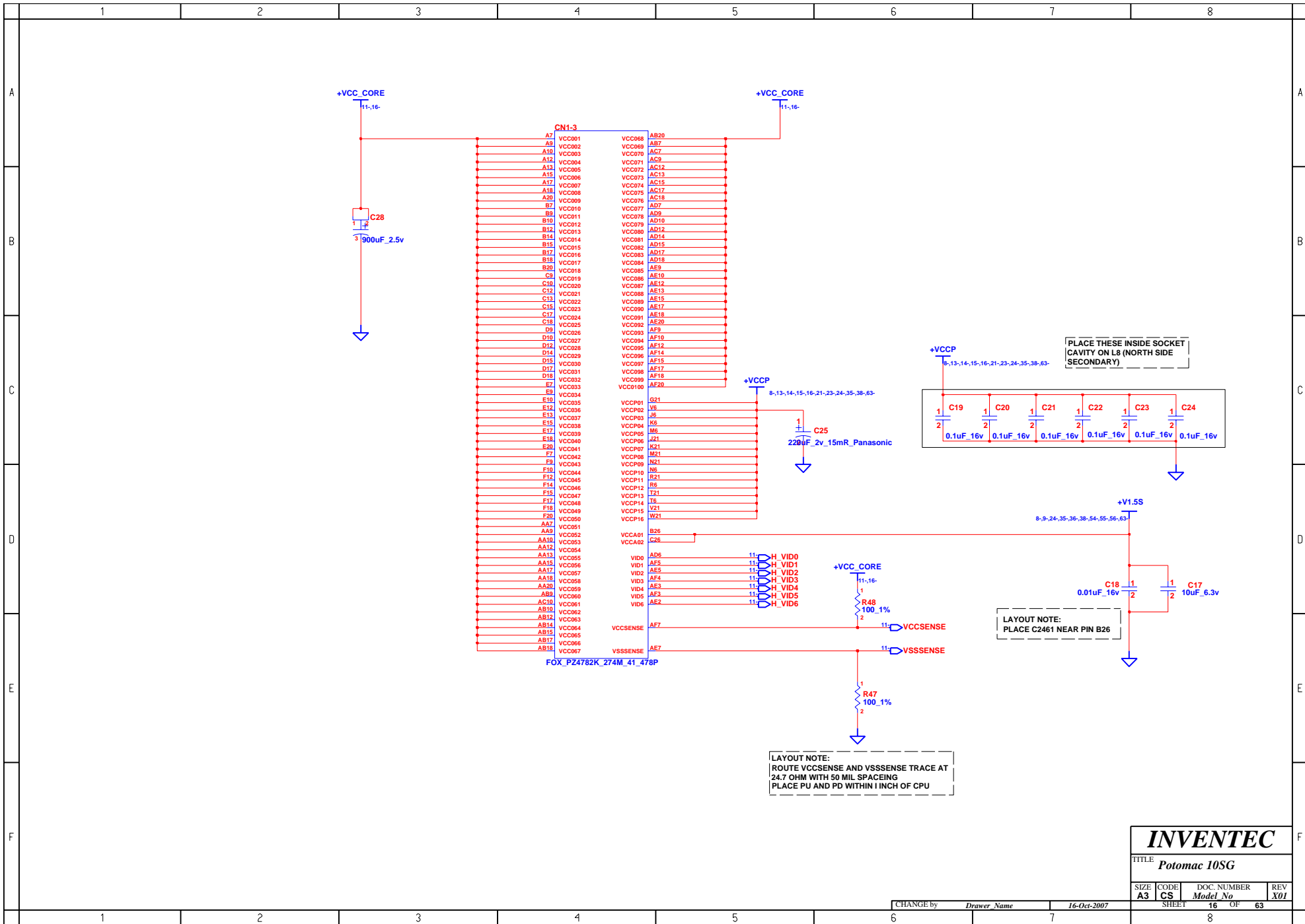




INVENTEC				
TITLE <i>Potomac 10SG</i>				
SIZE A3	CODE CS	DOC. NUMBER <i>Model No</i>	REV X01	
CHANGE by <i>Drawer Name</i>		27-Aug-2007		SHEET 14 OF 63



INVENTEC			
TITLE Potomac 10SG			
SIZE A3	CODE CS	DOC. NUMBER <i>Model No</i>	REV X01
CHANGE by <i>Drawer Name</i>		23-Aug-2007	
SHEET 15		OF 63	



PLACE THESE INSIDE SOCKET CAVITY ON L8 (NORTH SIDE SECONDARY)

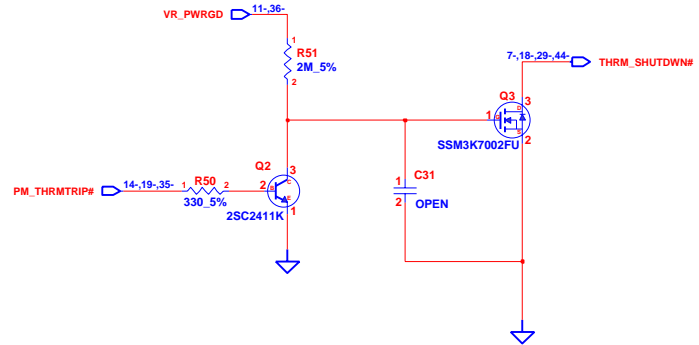
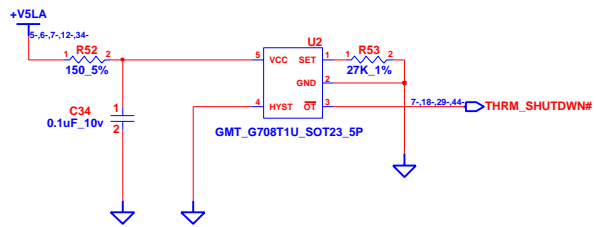
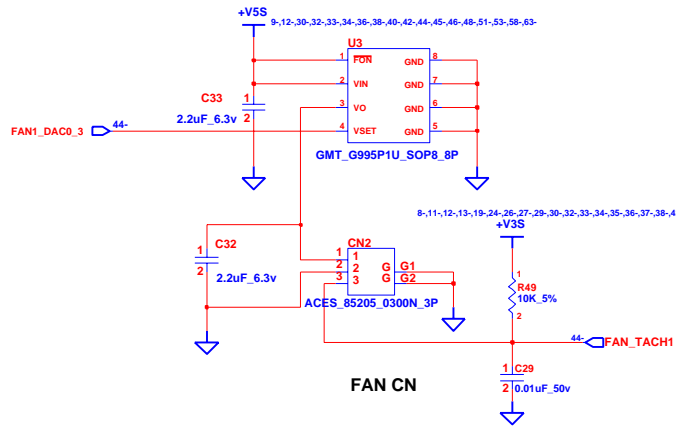
LAYOUT NOTE: PLACE C2461 NEAR PIN B26

LAYOUT NOTE: ROUTE VCCSENSE AND VSSSENSE TRACE AT 24.7 OHM WITH 50 MIL SPACING PLACE PU AND PD WITHIN 1 INCH OF CPU

INVENTEC			
TITLE <i>Potomac 10SG</i>			
SIZE A3	CODE CS	DOC. NUMBER <i>Model No</i>	REV X01
CHANGE by <i>Drawer Name</i>		16-Oct-2007	SHEET 16 OF 63

	1	2	3	4	5	6	7	8																																																																																																																																																																																																																																																																																																																																										
A	<p style="text-align: center;">CN1-4</p> <table border="0" style="margin: auto;"> <tr><td>A4</td><td>VSS001</td><td>VSS082</td><td>P8</td></tr> <tr><td>A5</td><td>VSS002</td><td>VSS083</td><td>P21</td></tr> <tr><td>A13</td><td>VSS003</td><td>VSS084</td><td>P24</td></tr> <tr><td>A14</td><td>VSS004</td><td>VSS085</td><td>R2</td></tr> <tr><td>A15</td><td>VSS005</td><td>VSS086</td><td>R5</td></tr> <tr><td>A16</td><td>VSS006</td><td>VSS087</td><td>R22</td></tr> <tr><td>A23</td><td>VSS007</td><td>VSS088</td><td>R25</td></tr> <tr><td>AF2</td><td>VSS008</td><td>VSS089</td><td>T1</td></tr> <tr><td>B6</td><td>VSS009</td><td>VSS090</td><td>T4</td></tr> <tr><td>B8</td><td>VSS010</td><td>VSS091</td><td>T23</td></tr> <tr><td>B11</td><td>VSS011</td><td>VSS092</td><td>T26</td></tr> <tr><td>B13</td><td>VSS012</td><td>VSS093</td><td>U3</td></tr> <tr><td>B15</td><td>VSS013</td><td>VSS094</td><td>U6</td></tr> <tr><td>B16</td><td>VSS014</td><td>VSS095</td><td>U21</td></tr> <tr><td>B21</td><td>VSS015</td><td>VSS096</td><td>U24</td></tr> <tr><td>B24</td><td>VSS016</td><td>VSS097</td><td>V2</td></tr> <tr><td>C3</td><td>VSS017</td><td>VSS098</td><td>V5</td></tr> <tr><td>C8</td><td>VSS018</td><td>VSS099</td><td>V22</td></tr> <tr><td>C11</td><td>VSS019</td><td>VSS100</td><td>V25</td></tr> <tr><td>C14</td><td>VSS020</td><td>VSS101</td><td>W1</td></tr> <tr><td>C16</td><td>VSS021</td><td>VSS102</td><td>W4</td></tr> <tr><td>C18</td><td>VSS022</td><td>VSS103</td><td>W23</td></tr> <tr><td>C2</td><td>VSS023</td><td>VSS104</td><td>W26</td></tr> <tr><td>C22</td><td>VSS024</td><td>VSS105</td><td>Y3</td></tr> <tr><td>C23</td><td>VSS025</td><td>VSS106</td><td>Y6</td></tr> <tr><td>D4</td><td>VSS026</td><td>VSS107</td><td>Y21</td></tr> <tr><td>D4</td><td>VSS027</td><td>VSS108</td><td>Y24</td></tr> <tr><td>D6</td><td>VSS028</td><td>VSS109</td><td>AA2</td></tr> <tr><td>D11</td><td>VSS029</td><td>VSS110</td><td>AA5</td></tr> <tr><td>D13</td><td>VSS030</td><td>VSS111</td><td>AA8</td></tr> <tr><td>D16</td><td>VSS031</td><td>VSS112</td><td>AA11</td></tr> <tr><td>D19</td><td>VSS032</td><td>VSS113</td><td>AA14</td></tr> <tr><td>D23</td><td>VSS033</td><td>VSS114</td><td>AA16</td></tr> <tr><td>D26</td><td>VSS034</td><td>VSS115</td><td>AA19</td></tr> <tr><td>E3</td><td>VSS035</td><td>VSS116</td><td>AA22</td></tr> <tr><td>E6</td><td>VSS036</td><td>VSS117</td><td>AA25</td></tr> <tr><td>E8</td><td>VSS037</td><td>VSS118</td><td>AB1</td></tr> <tr><td>E11</td><td>VSS038</td><td>VSS119</td><td>AB4</td></tr> <tr><td>E14</td><td>VSS039</td><td>VSS120</td><td>AB8</td></tr> <tr><td>E16</td><td>VSS040</td><td>VSS121</td><td>AB11</td></tr> <tr><td>E18</td><td>VSS041</td><td>VSS122</td><td>AB13</td></tr> <tr><td>E21</td><td>VSS042</td><td>VSS123</td><td>AB16</td></tr> <tr><td>E24</td><td>VSS043</td><td>VSS124</td><td>AB19</td></tr> <tr><td>F5</td><td>VSS044</td><td>VSS125</td><td>AB23</td></tr> <tr><td>F8</td><td>VSS045</td><td>VSS126</td><td>AB26</td></tr> <tr><td>F11</td><td>VSS046</td><td>VSS127</td><td>AC3</td></tr> <tr><td>F13</td><td>VSS047</td><td>VSS128</td><td>AC6</td></tr> <tr><td>F16</td><td>VSS048</td><td>VSS129</td><td>AC9</td></tr> <tr><td>F19</td><td>VSS049</td><td>VSS130</td><td>AC11</td></tr> <tr><td>F2</td><td>VSS050</td><td>VSS131</td><td>AC14</td></tr> <tr><td>F24</td><td>VSS051</td><td>VSS132</td><td>AC16</td></tr> <tr><td>F26</td><td>VSS052</td><td>VSS133</td><td>AC19</td></tr> <tr><td>G4</td><td>VSS053</td><td>VSS134</td><td>AC21</td></tr> <tr><td>G1</td><td>VSS054</td><td>VSS135</td><td>AC24</td></tr> <tr><td>G23</td><td>VSS055</td><td>VSS136</td><td>AD2</td></tr> <tr><td>G26</td><td>VSS056</td><td>VSS137</td><td>AD5</td></tr> <tr><td>H3</td><td>VSS057</td><td>VSS138</td><td>AD8</td></tr> <tr><td>H6</td><td>VSS058</td><td>VSS139</td><td>AD11</td></tr> <tr><td>H21</td><td>VSS059</td><td>VSS140</td><td>AD13</td></tr> <tr><td>H24</td><td>VSS060</td><td>VSS141</td><td>AD16</td></tr> <tr><td>J2</td><td>VSS061</td><td>VSS142</td><td>AD19</td></tr> <tr><td>J5</td><td>VSS062</td><td>VSS143</td><td>AD22</td></tr> <tr><td>J23</td><td>VSS063</td><td>VSS144</td><td>AD25</td></tr> <tr><td>J26</td><td>VSS064</td><td>VSS145</td><td>AE1</td></tr> <tr><td>K1</td><td>VSS065</td><td>VSS146</td><td>AE4</td></tr> <tr><td>K4</td><td>VSS066</td><td>VSS147</td><td>AE8</td></tr> <tr><td>K21</td><td>VSS067</td><td>VSS148</td><td>AE11</td></tr> <tr><td>K26</td><td>VSS068</td><td>VSS149</td><td>AE14</td></tr> <tr><td>L3</td><td>VSS069</td><td>VSS150</td><td>AE16</td></tr> <tr><td>L6</td><td>VSS070</td><td>VSS151</td><td>AE19</td></tr> <tr><td>L21</td><td>VSS071</td><td>VSS152</td><td>AE23</td></tr> <tr><td>L24</td><td>VSS072</td><td>VSS153</td><td>AE26</td></tr> <tr><td>M2</td><td>VSS073</td><td>VSS154</td><td>A2</td></tr> <tr><td>M5</td><td>VSS074</td><td>VSS155</td><td>AF8</td></tr> <tr><td>M23</td><td>VSS075</td><td>VSS156</td><td>AF9</td></tr> <tr><td>M26</td><td>VSS076</td><td>VSS157</td><td>AF11</td></tr> <tr><td>N1</td><td>VSS077</td><td>VSS158</td><td>AF13</td></tr> <tr><td>N4</td><td>VSS078</td><td>VSS159</td><td>AF16</td></tr> <tr><td>N21</td><td>VSS079</td><td>VSS160</td><td>AF19</td></tr> <tr><td>N24</td><td>VSS080</td><td>VSS161</td><td>AF21</td></tr> <tr><td>P3</td><td>VSS081</td><td>VSS162</td><td>A25</td></tr> <tr><td></td><td></td><td>VSS163</td><td>AF25</td></tr> </table> <p style="text-align: center;">FOX_PZ4782K_274M_41_478P</p>									A4	VSS001	VSS082	P8	A5	VSS002	VSS083	P21	A13	VSS003	VSS084	P24	A14	VSS004	VSS085	R2	A15	VSS005	VSS086	R5	A16	VSS006	VSS087	R22	A23	VSS007	VSS088	R25	AF2	VSS008	VSS089	T1	B6	VSS009	VSS090	T4	B8	VSS010	VSS091	T23	B11	VSS011	VSS092	T26	B13	VSS012	VSS093	U3	B15	VSS013	VSS094	U6	B16	VSS014	VSS095	U21	B21	VSS015	VSS096	U24	B24	VSS016	VSS097	V2	C3	VSS017	VSS098	V5	C8	VSS018	VSS099	V22	C11	VSS019	VSS100	V25	C14	VSS020	VSS101	W1	C16	VSS021	VSS102	W4	C18	VSS022	VSS103	W23	C2	VSS023	VSS104	W26	C22	VSS024	VSS105	Y3	C23	VSS025	VSS106	Y6	D4	VSS026	VSS107	Y21	D4	VSS027	VSS108	Y24	D6	VSS028	VSS109	AA2	D11	VSS029	VSS110	AA5	D13	VSS030	VSS111	AA8	D16	VSS031	VSS112	AA11	D19	VSS032	VSS113	AA14	D23	VSS033	VSS114	AA16	D26	VSS034	VSS115	AA19	E3	VSS035	VSS116	AA22	E6	VSS036	VSS117	AA25	E8	VSS037	VSS118	AB1	E11	VSS038	VSS119	AB4	E14	VSS039	VSS120	AB8	E16	VSS040	VSS121	AB11	E18	VSS041	VSS122	AB13	E21	VSS042	VSS123	AB16	E24	VSS043	VSS124	AB19	F5	VSS044	VSS125	AB23	F8	VSS045	VSS126	AB26	F11	VSS046	VSS127	AC3	F13	VSS047	VSS128	AC6	F16	VSS048	VSS129	AC9	F19	VSS049	VSS130	AC11	F2	VSS050	VSS131	AC14	F24	VSS051	VSS132	AC16	F26	VSS052	VSS133	AC19	G4	VSS053	VSS134	AC21	G1	VSS054	VSS135	AC24	G23	VSS055	VSS136	AD2	G26	VSS056	VSS137	AD5	H3	VSS057	VSS138	AD8	H6	VSS058	VSS139	AD11	H21	VSS059	VSS140	AD13	H24	VSS060	VSS141	AD16	J2	VSS061	VSS142	AD19	J5	VSS062	VSS143	AD22	J23	VSS063	VSS144	AD25	J26	VSS064	VSS145	AE1	K1	VSS065	VSS146	AE4	K4	VSS066	VSS147	AE8	K21	VSS067	VSS148	AE11	K26	VSS068	VSS149	AE14	L3	VSS069	VSS150	AE16	L6	VSS070	VSS151	AE19	L21	VSS071	VSS152	AE23	L24	VSS072	VSS153	AE26	M2	VSS073	VSS154	A2	M5	VSS074	VSS155	AF8	M23	VSS075	VSS156	AF9	M26	VSS076	VSS157	AF11	N1	VSS077	VSS158	AF13	N4	VSS078	VSS159	AF16	N21	VSS079	VSS160	AF19	N24	VSS080	VSS161	AF21	P3	VSS081	VSS162	A25			VSS163	AF25	
A4										VSS001	VSS082	P8																																																																																																																																																																																																																																																																																																																																						
A5										VSS002	VSS083	P21																																																																																																																																																																																																																																																																																																																																						
A13										VSS003	VSS084	P24																																																																																																																																																																																																																																																																																																																																						
A14										VSS004	VSS085	R2																																																																																																																																																																																																																																																																																																																																						
A15										VSS005	VSS086	R5																																																																																																																																																																																																																																																																																																																																						
A16										VSS006	VSS087	R22																																																																																																																																																																																																																																																																																																																																						
A23										VSS007	VSS088	R25																																																																																																																																																																																																																																																																																																																																						
AF2										VSS008	VSS089	T1																																																																																																																																																																																																																																																																																																																																						
B6										VSS009	VSS090	T4																																																																																																																																																																																																																																																																																																																																						
B8										VSS010	VSS091	T23																																																																																																																																																																																																																																																																																																																																						
B11										VSS011	VSS092	T26																																																																																																																																																																																																																																																																																																																																						
B13										VSS012	VSS093	U3																																																																																																																																																																																																																																																																																																																																						
B15										VSS013	VSS094	U6																																																																																																																																																																																																																																																																																																																																						
B16										VSS014	VSS095	U21																																																																																																																																																																																																																																																																																																																																						
B21										VSS015	VSS096	U24																																																																																																																																																																																																																																																																																																																																						
B24										VSS016	VSS097	V2																																																																																																																																																																																																																																																																																																																																						
C3										VSS017	VSS098	V5																																																																																																																																																																																																																																																																																																																																						
C8										VSS018	VSS099	V22																																																																																																																																																																																																																																																																																																																																						
C11	VSS019	VSS100	V25																																																																																																																																																																																																																																																																																																																																															
C14	VSS020	VSS101	W1																																																																																																																																																																																																																																																																																																																																															
C16	VSS021	VSS102	W4																																																																																																																																																																																																																																																																																																																																															
C18	VSS022	VSS103	W23																																																																																																																																																																																																																																																																																																																																															
C2	VSS023	VSS104	W26																																																																																																																																																																																																																																																																																																																																															
C22	VSS024	VSS105	Y3																																																																																																																																																																																																																																																																																																																																															
C23	VSS025	VSS106	Y6																																																																																																																																																																																																																																																																																																																																															
D4	VSS026	VSS107	Y21																																																																																																																																																																																																																																																																																																																																															
D4	VSS027	VSS108	Y24																																																																																																																																																																																																																																																																																																																																															
D6	VSS028	VSS109	AA2																																																																																																																																																																																																																																																																																																																																															
D11	VSS029	VSS110	AA5																																																																																																																																																																																																																																																																																																																																															
D13	VSS030	VSS111	AA8																																																																																																																																																																																																																																																																																																																																															
D16	VSS031	VSS112	AA11																																																																																																																																																																																																																																																																																																																																															
D19	VSS032	VSS113	AA14																																																																																																																																																																																																																																																																																																																																															
D23	VSS033	VSS114	AA16																																																																																																																																																																																																																																																																																																																																															
D26	VSS034	VSS115	AA19																																																																																																																																																																																																																																																																																																																																															
E3	VSS035	VSS116	AA22																																																																																																																																																																																																																																																																																																																																															
E6	VSS036	VSS117	AA25																																																																																																																																																																																																																																																																																																																																															
E8	VSS037	VSS118	AB1																																																																																																																																																																																																																																																																																																																																															
E11	VSS038	VSS119	AB4																																																																																																																																																																																																																																																																																																																																															
E14	VSS039	VSS120	AB8																																																																																																																																																																																																																																																																																																																																															
E16	VSS040	VSS121	AB11																																																																																																																																																																																																																																																																																																																																															
E18	VSS041	VSS122	AB13																																																																																																																																																																																																																																																																																																																																															
E21	VSS042	VSS123	AB16																																																																																																																																																																																																																																																																																																																																															
E24	VSS043	VSS124	AB19																																																																																																																																																																																																																																																																																																																																															
F5	VSS044	VSS125	AB23																																																																																																																																																																																																																																																																																																																																															
F8	VSS045	VSS126	AB26																																																																																																																																																																																																																																																																																																																																															
F11	VSS046	VSS127	AC3																																																																																																																																																																																																																																																																																																																																															
F13	VSS047	VSS128	AC6																																																																																																																																																																																																																																																																																																																																															
F16	VSS048	VSS129	AC9																																																																																																																																																																																																																																																																																																																																															
F19	VSS049	VSS130	AC11																																																																																																																																																																																																																																																																																																																																															
F2	VSS050	VSS131	AC14																																																																																																																																																																																																																																																																																																																																															
F24	VSS051	VSS132	AC16																																																																																																																																																																																																																																																																																																																																															
F26	VSS052	VSS133	AC19																																																																																																																																																																																																																																																																																																																																															
G4	VSS053	VSS134	AC21																																																																																																																																																																																																																																																																																																																																															
G1	VSS054	VSS135	AC24																																																																																																																																																																																																																																																																																																																																															
G23	VSS055	VSS136	AD2																																																																																																																																																																																																																																																																																																																																															
G26	VSS056	VSS137	AD5																																																																																																																																																																																																																																																																																																																																															
H3	VSS057	VSS138	AD8																																																																																																																																																																																																																																																																																																																																															
H6	VSS058	VSS139	AD11																																																																																																																																																																																																																																																																																																																																															
H21	VSS059	VSS140	AD13																																																																																																																																																																																																																																																																																																																																															
H24	VSS060	VSS141	AD16																																																																																																																																																																																																																																																																																																																																															
J2	VSS061	VSS142	AD19																																																																																																																																																																																																																																																																																																																																															
J5	VSS062	VSS143	AD22																																																																																																																																																																																																																																																																																																																																															
J23	VSS063	VSS144	AD25																																																																																																																																																																																																																																																																																																																																															
J26	VSS064	VSS145	AE1																																																																																																																																																																																																																																																																																																																																															
K1	VSS065	VSS146	AE4																																																																																																																																																																																																																																																																																																																																															
K4	VSS066	VSS147	AE8																																																																																																																																																																																																																																																																																																																																															
K21	VSS067	VSS148	AE11																																																																																																																																																																																																																																																																																																																																															
K26	VSS068	VSS149	AE14																																																																																																																																																																																																																																																																																																																																															
L3	VSS069	VSS150	AE16																																																																																																																																																																																																																																																																																																																																															
L6	VSS070	VSS151	AE19																																																																																																																																																																																																																																																																																																																																															
L21	VSS071	VSS152	AE23																																																																																																																																																																																																																																																																																																																																															
L24	VSS072	VSS153	AE26																																																																																																																																																																																																																																																																																																																																															
M2	VSS073	VSS154	A2																																																																																																																																																																																																																																																																																																																																															
M5	VSS074	VSS155	AF8																																																																																																																																																																																																																																																																																																																																															
M23	VSS075	VSS156	AF9																																																																																																																																																																																																																																																																																																																																															
M26	VSS076	VSS157	AF11																																																																																																																																																																																																																																																																																																																																															
N1	VSS077	VSS158	AF13																																																																																																																																																																																																																																																																																																																																															
N4	VSS078	VSS159	AF16																																																																																																																																																																																																																																																																																																																																															
N21	VSS079	VSS160	AF19																																																																																																																																																																																																																																																																																																																																															
N24	VSS080	VSS161	AF21																																																																																																																																																																																																																																																																																																																																															
P3	VSS081	VSS162	A25																																																																																																																																																																																																																																																																																																																																															
		VSS163	AF25																																																																																																																																																																																																																																																																																																																																															
B																																																																																																																																																																																																																																																																																																																																																		
C																																																																																																																																																																																																																																																																																																																																																		
D																																																																																																																																																																																																																																																																																																																																																		
E																																																																																																																																																																																																																																																																																																																																																		
F																																																																																																																																																																																																																																																																																																																																																		

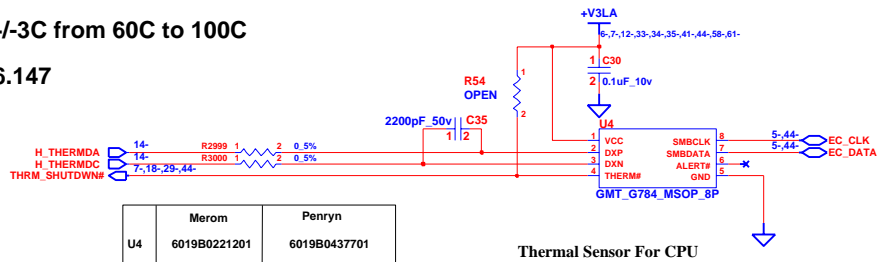
INVENTEC			
TITLE <i>Potomac 10SG</i>			
SIZE A3	CODE CS	DOC. NUMBER <i>Model No</i>	REV X01
CHANGE by <i>Drawer Name</i>		23-Aug-2007	SHEET 17 OF 63



Thermal shutdown at 83C +/-3C from 60C to 100C

$$RSET=0.0012*T^2 - 0.9308*T+96.147$$

Hysteresis is 30C



	Merom	Penryn
U4	6019B0221201	6019B0437701
C35	6010A0010701 2200pF_50v	6010071012AT 100pF_50v

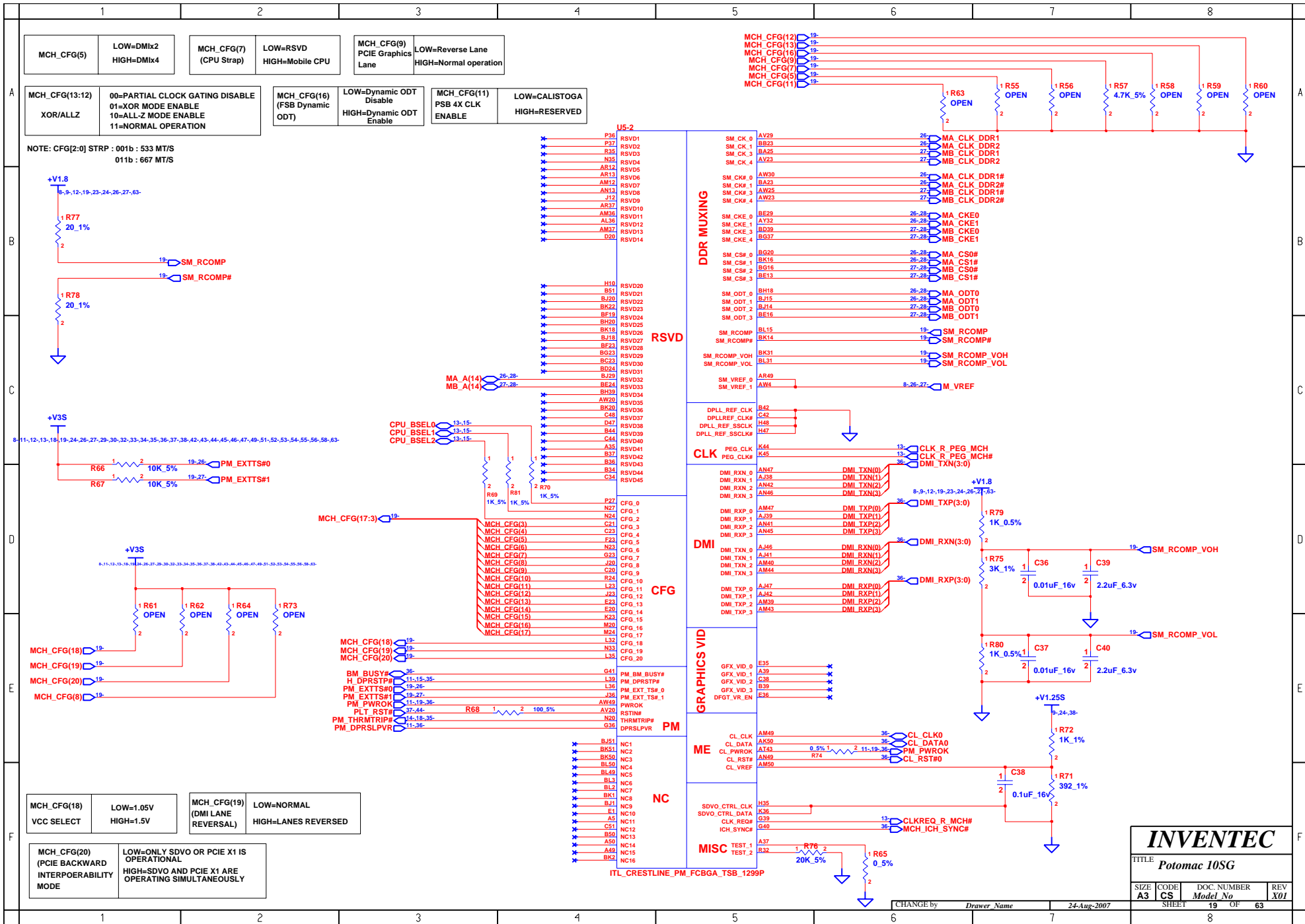
INVENTEC

TITLE
Potomac 10SG

SIZE A3	CODE CS	DOC. NUMBER <i>Model No</i>	REV X01
-------------------	-------------------	--------------------------------	-------------------

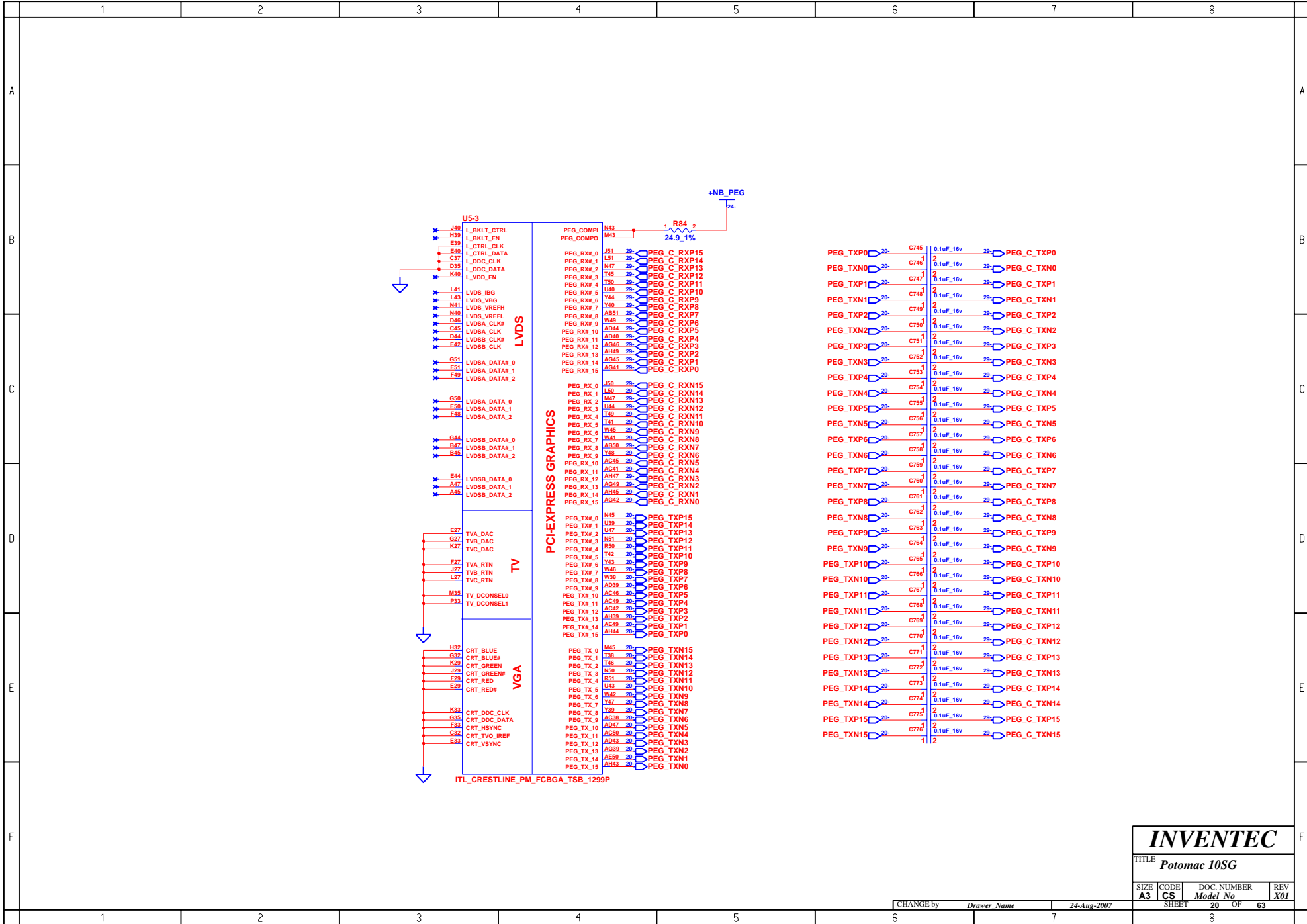
CHANGE by *Drawer Name* 23-Aug-2007

SHEET 18 OF 63

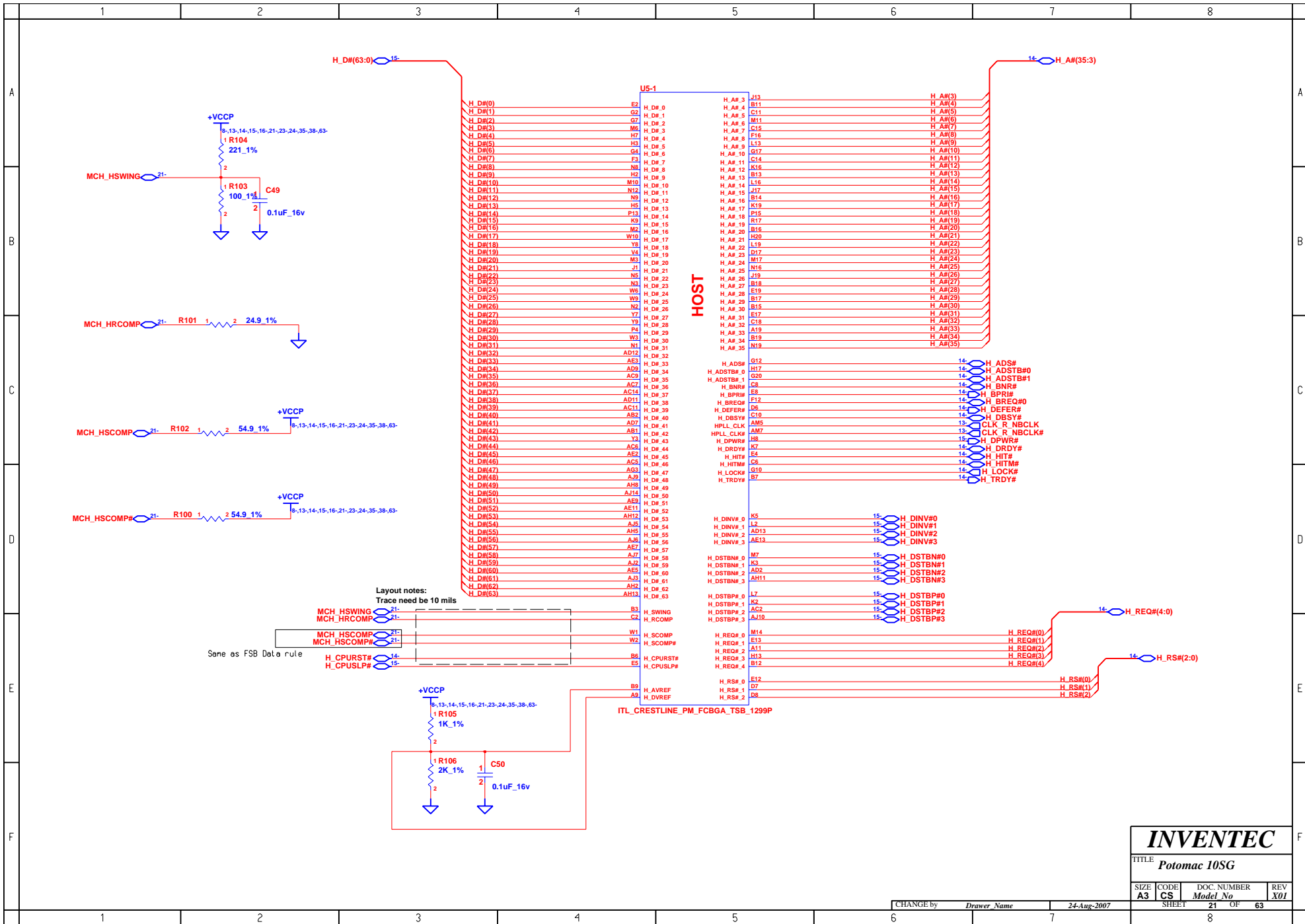


INVENTEC			
TITLE Potomac 10SG			
SIZE A3	CODE CS	DOC. NUMBER <i>Model No</i>	REV X01
SHEET 19		OF 63	

CHANGE by *Drawer Name* 24-Aug-2007



INVENTEC			
TITLE <i>Potomac 10SG</i>			
SIZE A3	CODE CS	DOC. NUMBER <i>Model No</i>	REV X01
CHANGE by <i>Drawer Name</i>		24-Aug-2007	
SHEET 20		OF 63	



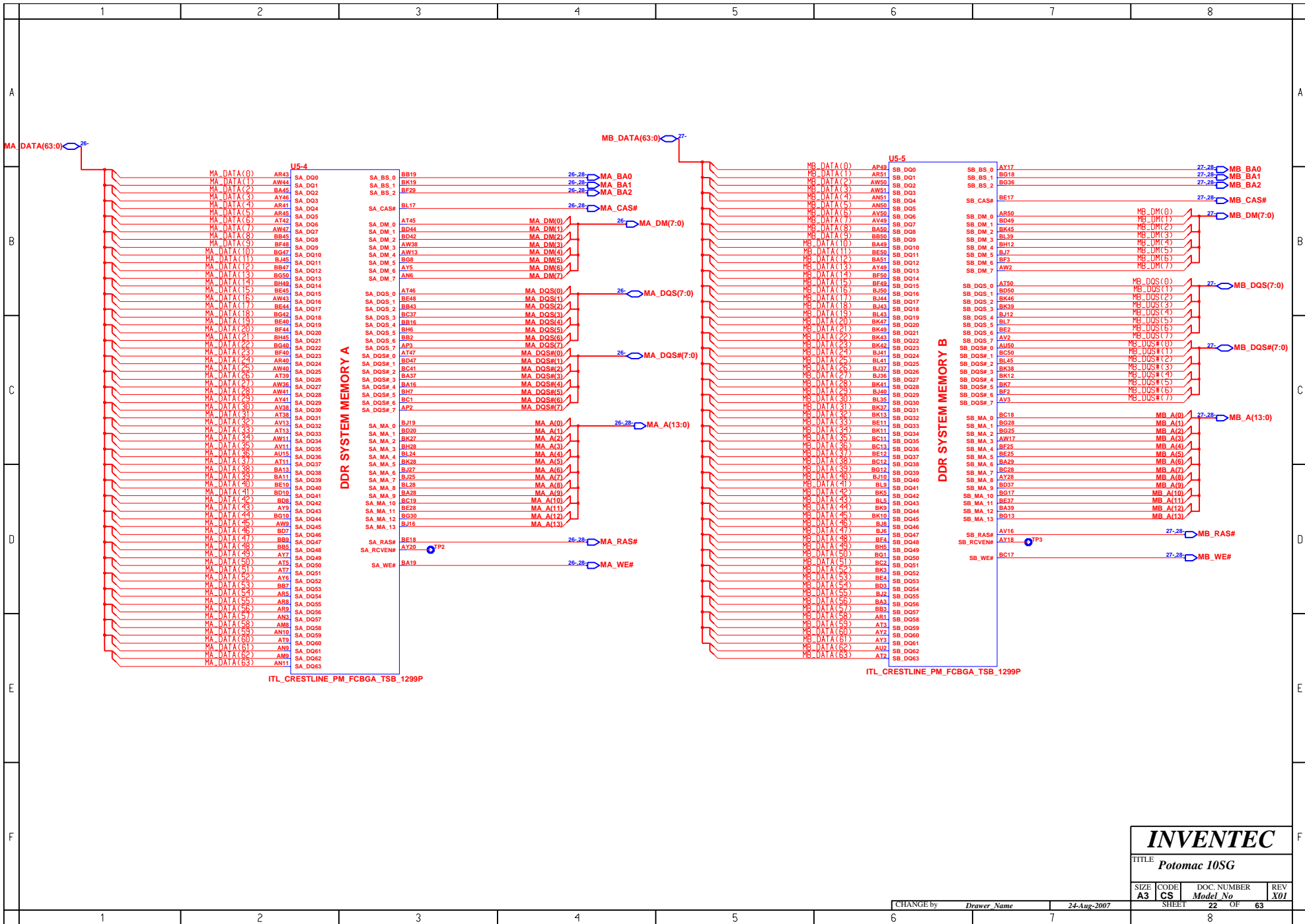
INVENTEC

TITLE
Potomac 10SG

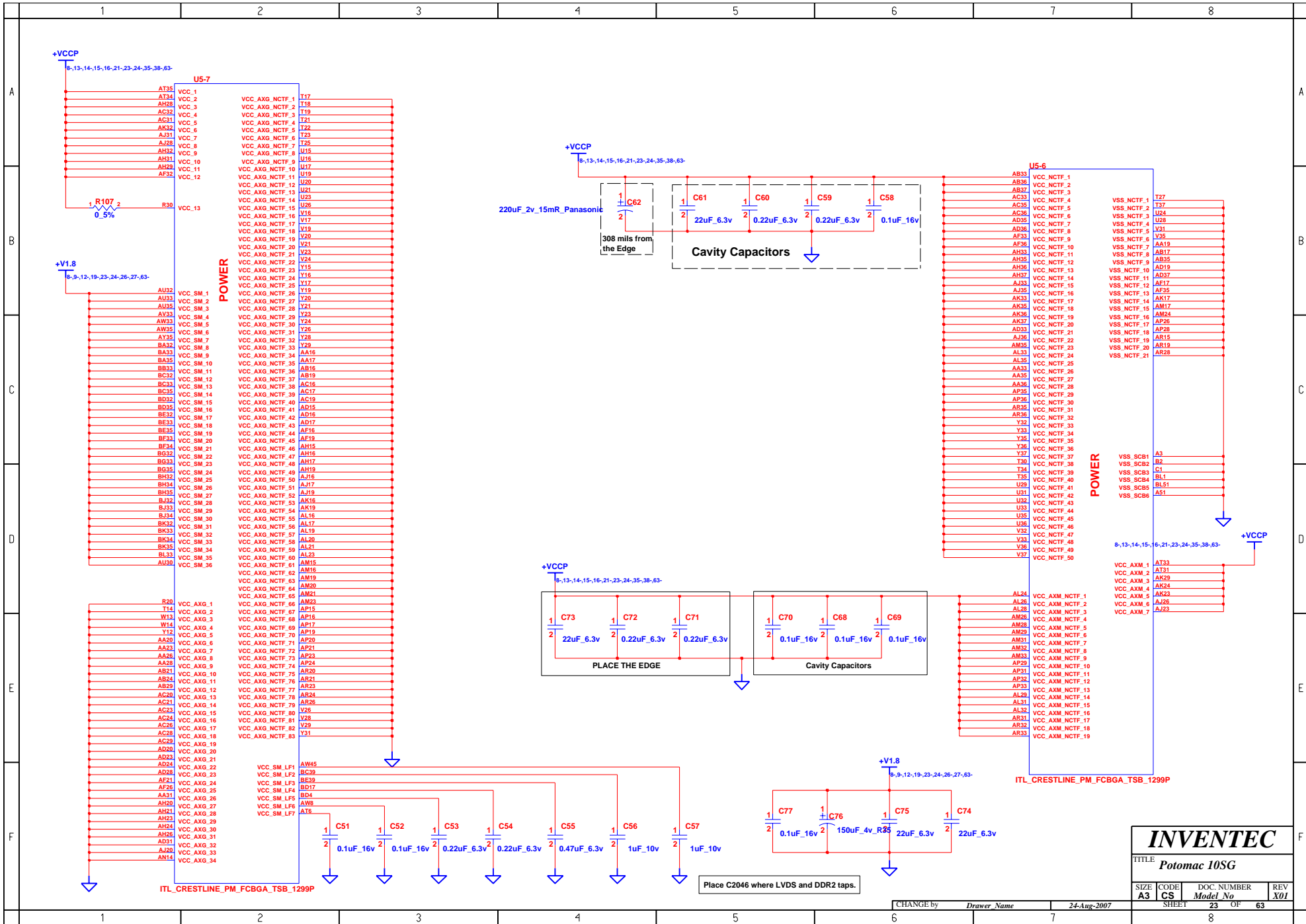
SIZE	CODE	DOC. NUMBER	REV
A3	CS	Model No	X01

CHANGE by *Drawer Name* 24-Aug-2007

SHEET 21 OF 63



INVENTEC				
TITLE Potomac 10SG				
SIZE	CODE	DOC. NUMBER	REV	
A3	CS	Model No	X01	
CHANGE by			24-Aug-2007	
DRAWER Name			SHEET	OF
			22	63



U5-7

+VCCP

220uF_2v_15mR_Panasonic

Cavity Capacitors

U5-6

POWER

+VCCP

22uF_6.3v

Cavity Capacitors

ITL_CRESTRINE_PM_FCBGA_TSB_1299P

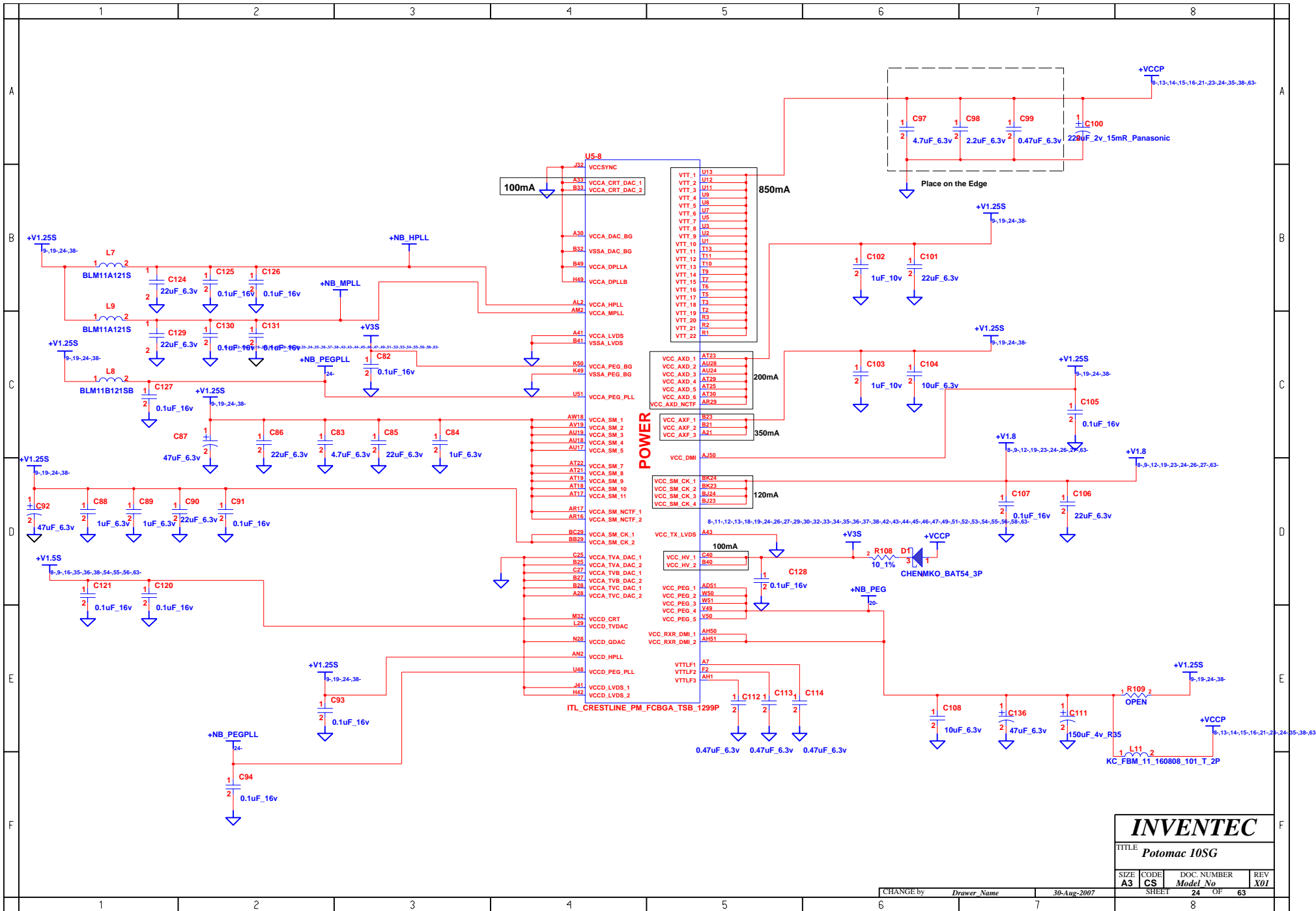
+VCCP

+V1.8

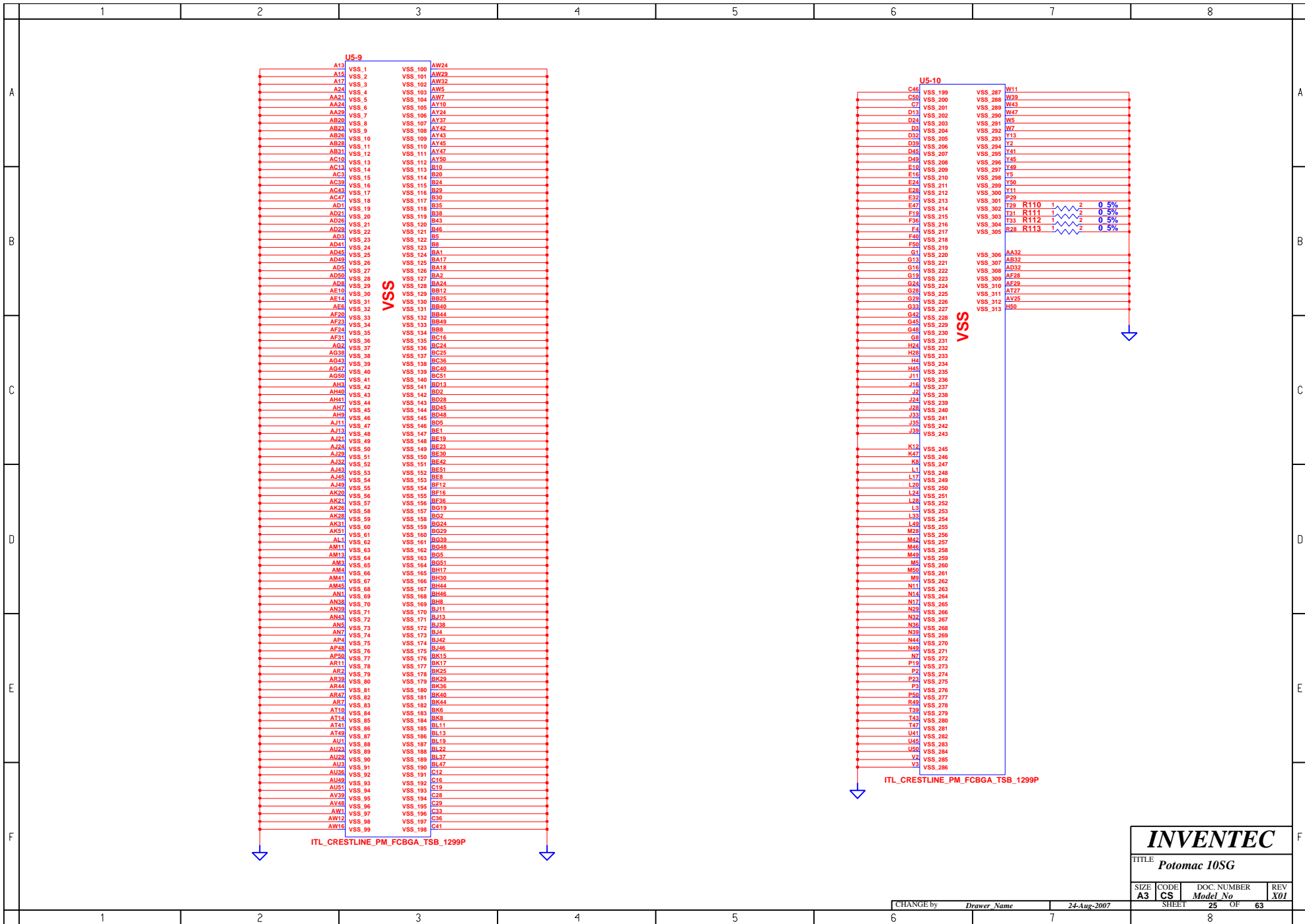
+VCCP

INVENTEC				
TITLE Potomac 10SG				
SIZE	CODE	DOC. NUMBER	REV	
A3	CS	Model No.	X01	

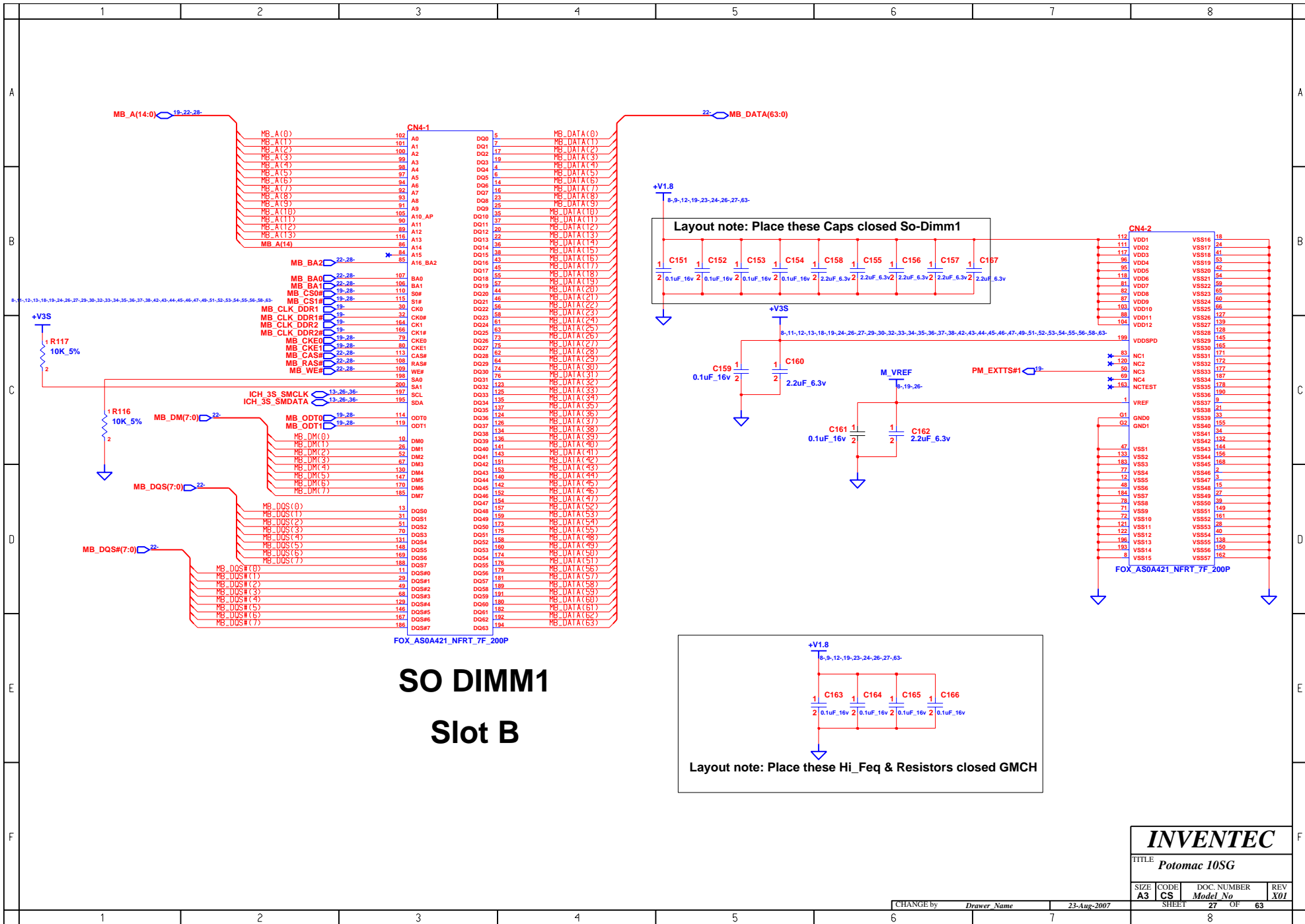
Place C2046 where LVDS and DDR2 taps.



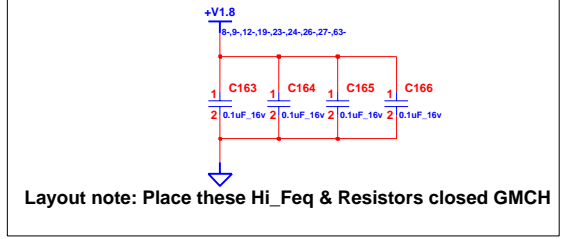
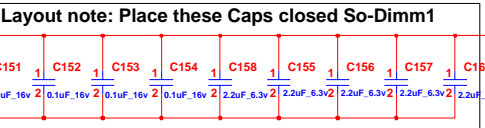
INVENTEC			
TITLE Potomac 10SG			
SIZE A3	CODE CS	DOC. NUMBER <i>Model No</i>	REV X01
CHANGE by <i>Drawer Name</i>		30-Aug-2007	
SHEET 24		OF 63	



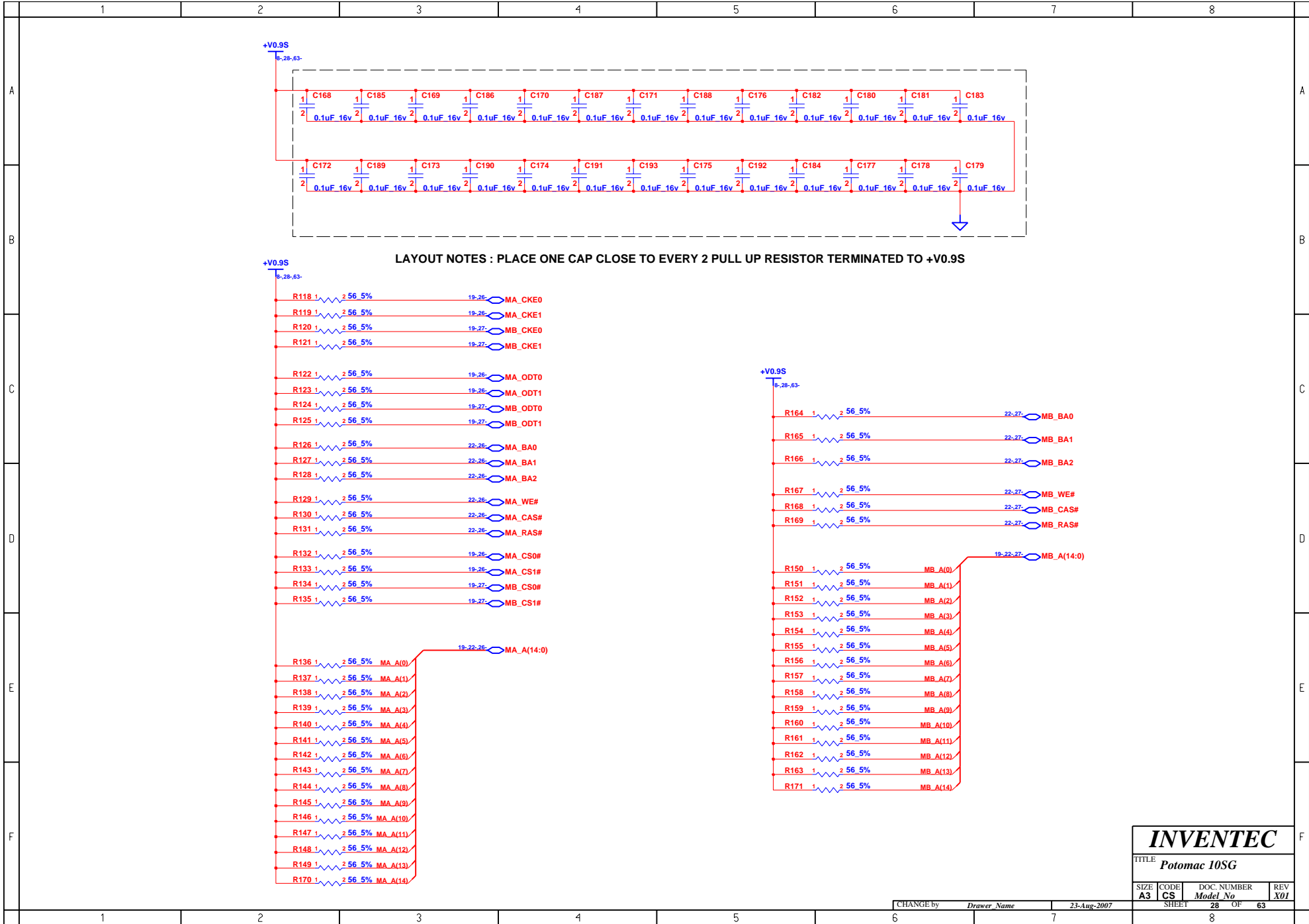
INVENTEC				
TITLE <i>Potomac 10SG</i>				
SIZE A3	CODE CS	DOC. NUMBER <i>Model No</i>	REV X01	
CHANGE by <i>Drawer Name</i>		24-Aug-2007		SHEET 25 OF 63
1		2		8



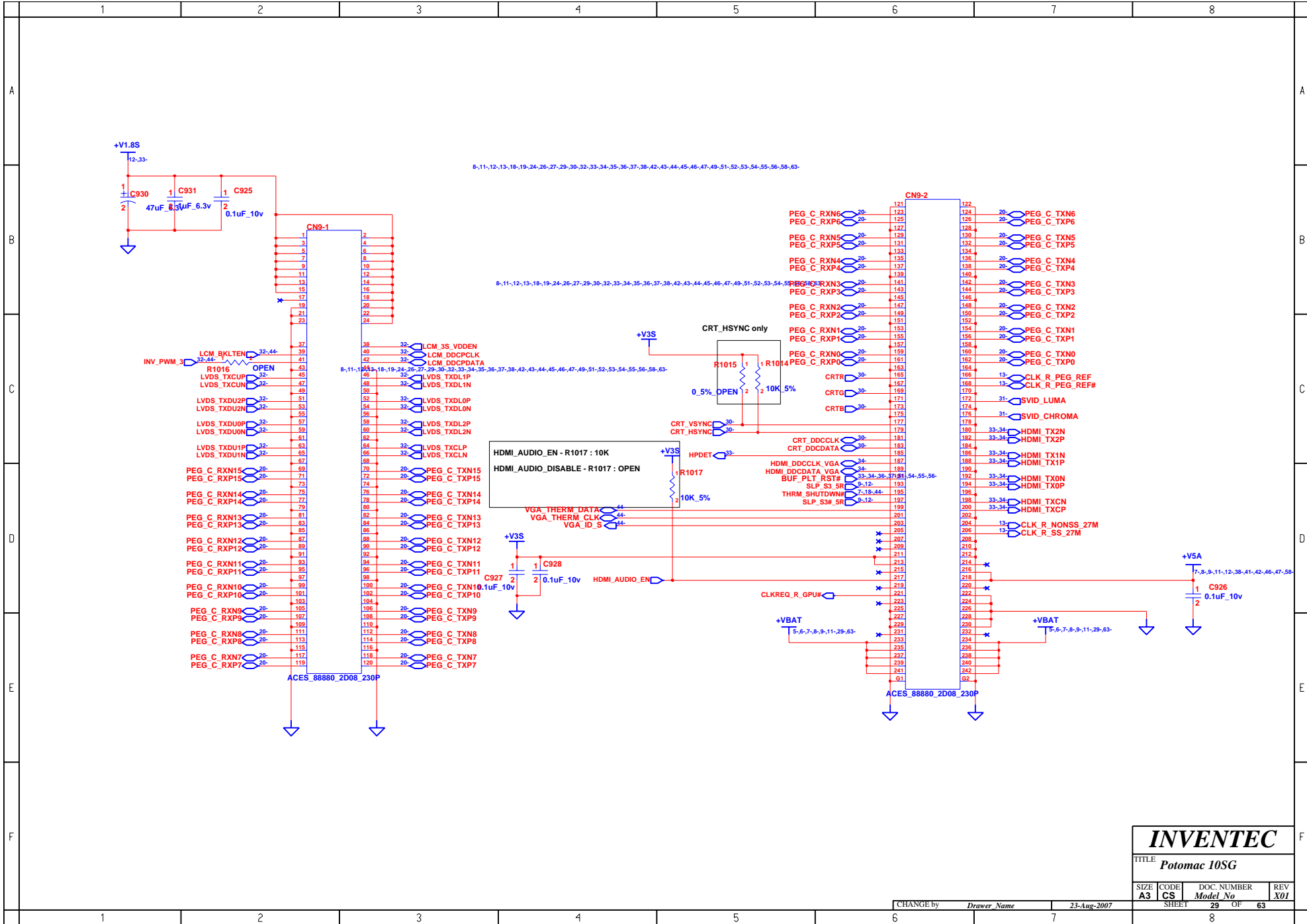
SO DIMM1 Slot B



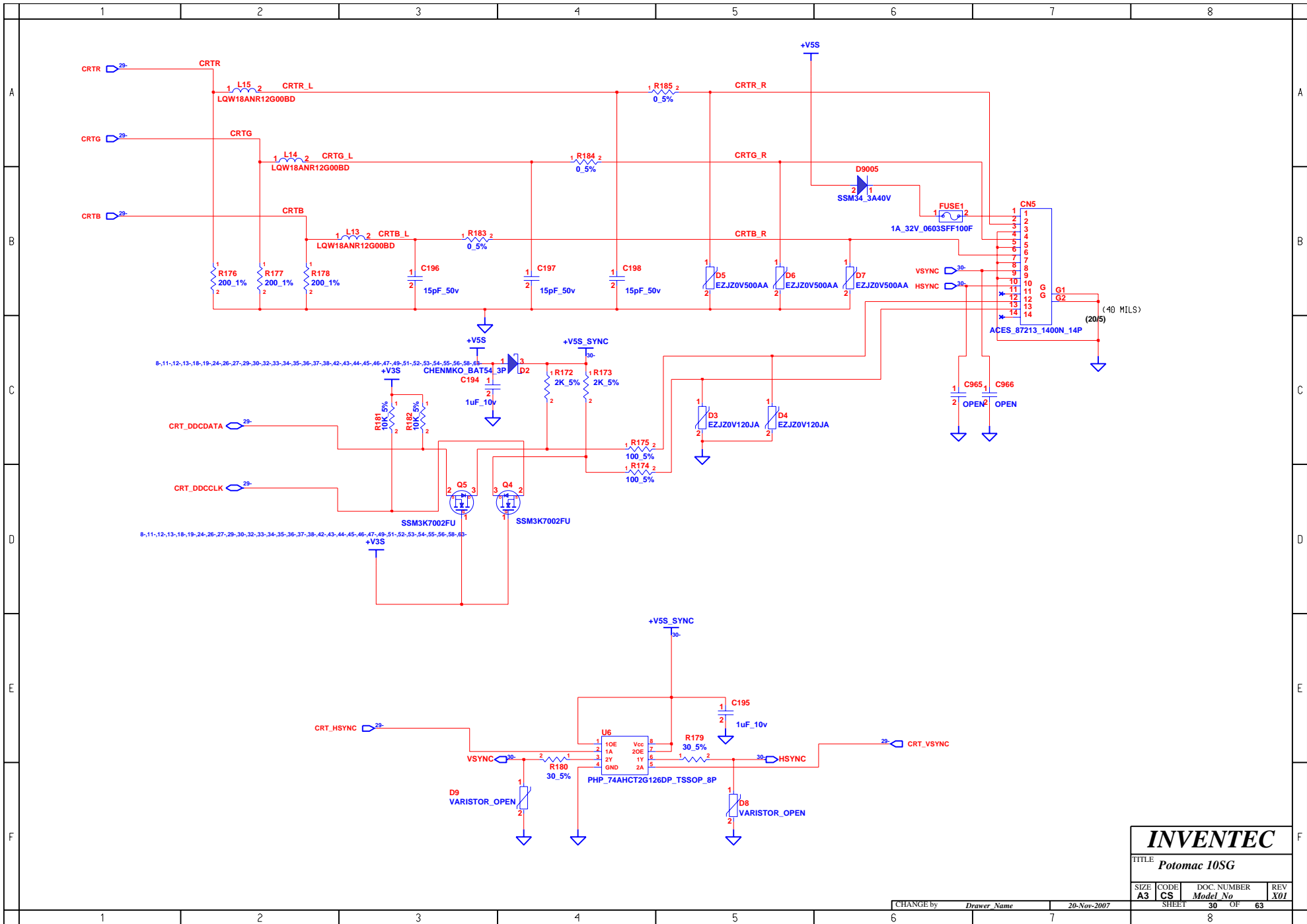
INVENTEC			
TITLE: Potomac 10SG			
SIZE: A3	CODE: CS	DOC. NUMBER: Model No	REV: X01
SHEET 27		OF 63	



INVENTEC			
TITLE <i>Potomac 10SG</i>			
SIZE A3	CODE CS	DOC. NUMBER <i>Model No</i>	REV X01
CHANGE by <i>Drawer Name</i>		23-Aug-2007	SHEET 28 OF 63



INVENTEC				
TITLE Potomac 10SG				
SIZE A3	CODE CS	DOC. NUMBER Model No	REV X01	
CHANGE by <i>Drawer Name</i>		23-Aug-2007		SHEET 29 OF 63
1	2	3	4	5
6	7	8		



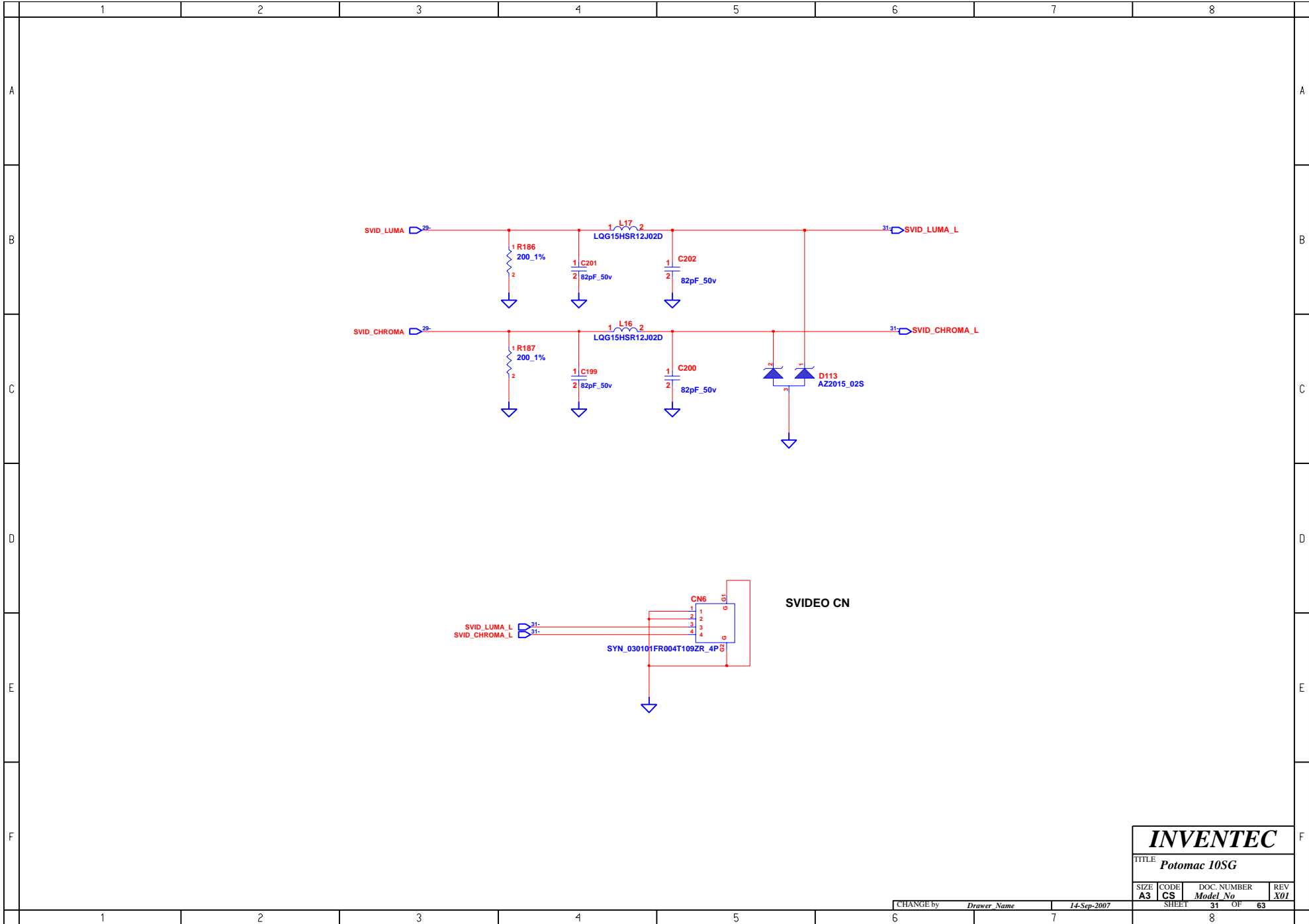
INVENTEC

TITLE
Potomac 10SG

SIZE CODE DOC. NUMBER REV
A3 CS Model No 30 OF 63 X01

CHANGE by *Drawer Name* 20-Nov-2007

SHEET 30 OF 63



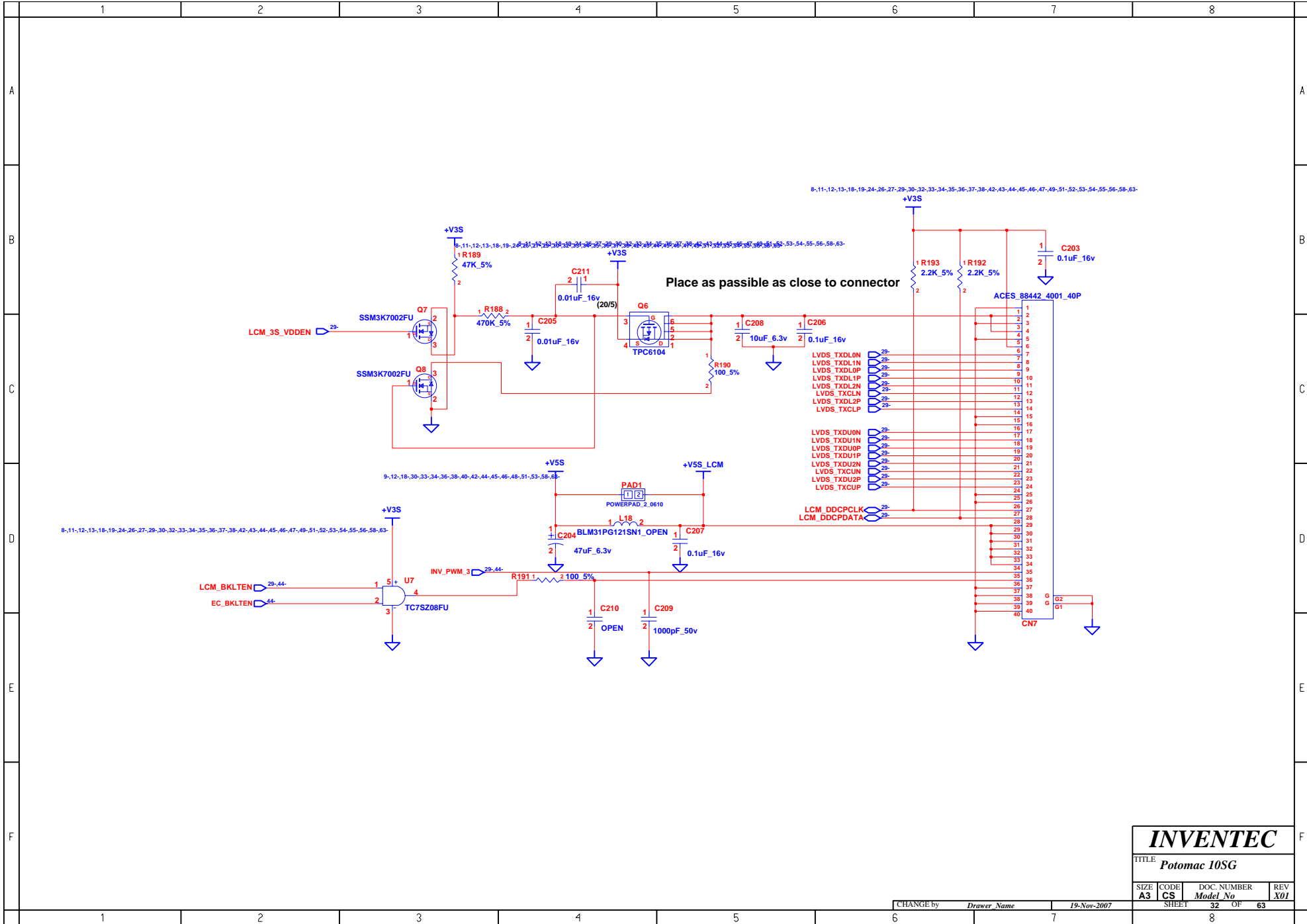
INVENTEC

TITLE
Potomac 10SG

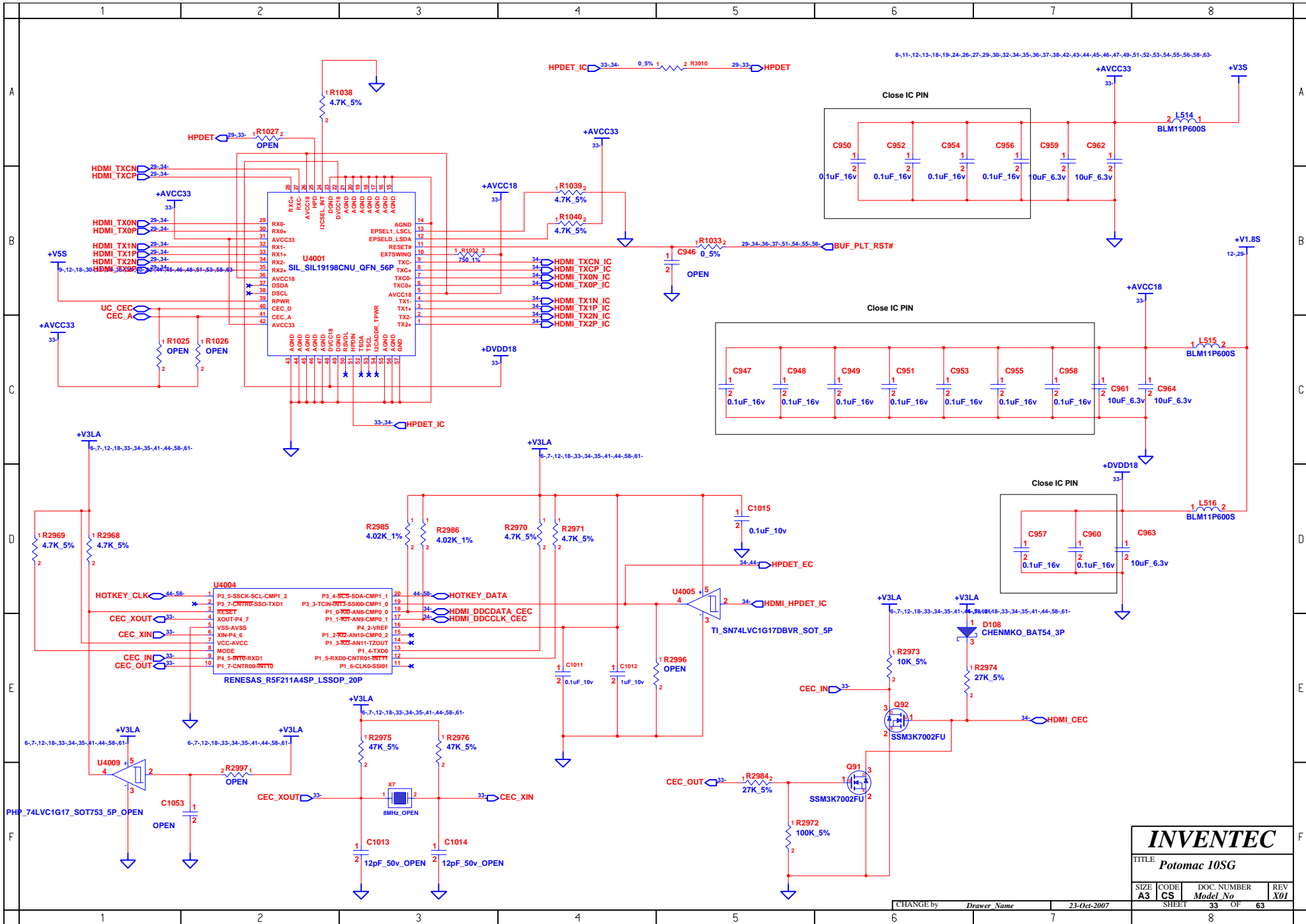
SIZE A3	CODE CS	DOC. NUMBER <i>Model No</i>	REV X01
-------------------	-------------------	--------------------------------	-------------------

CHANGE by *Drawer Name* 14-Sep-2007

SHEET 31 OF 63

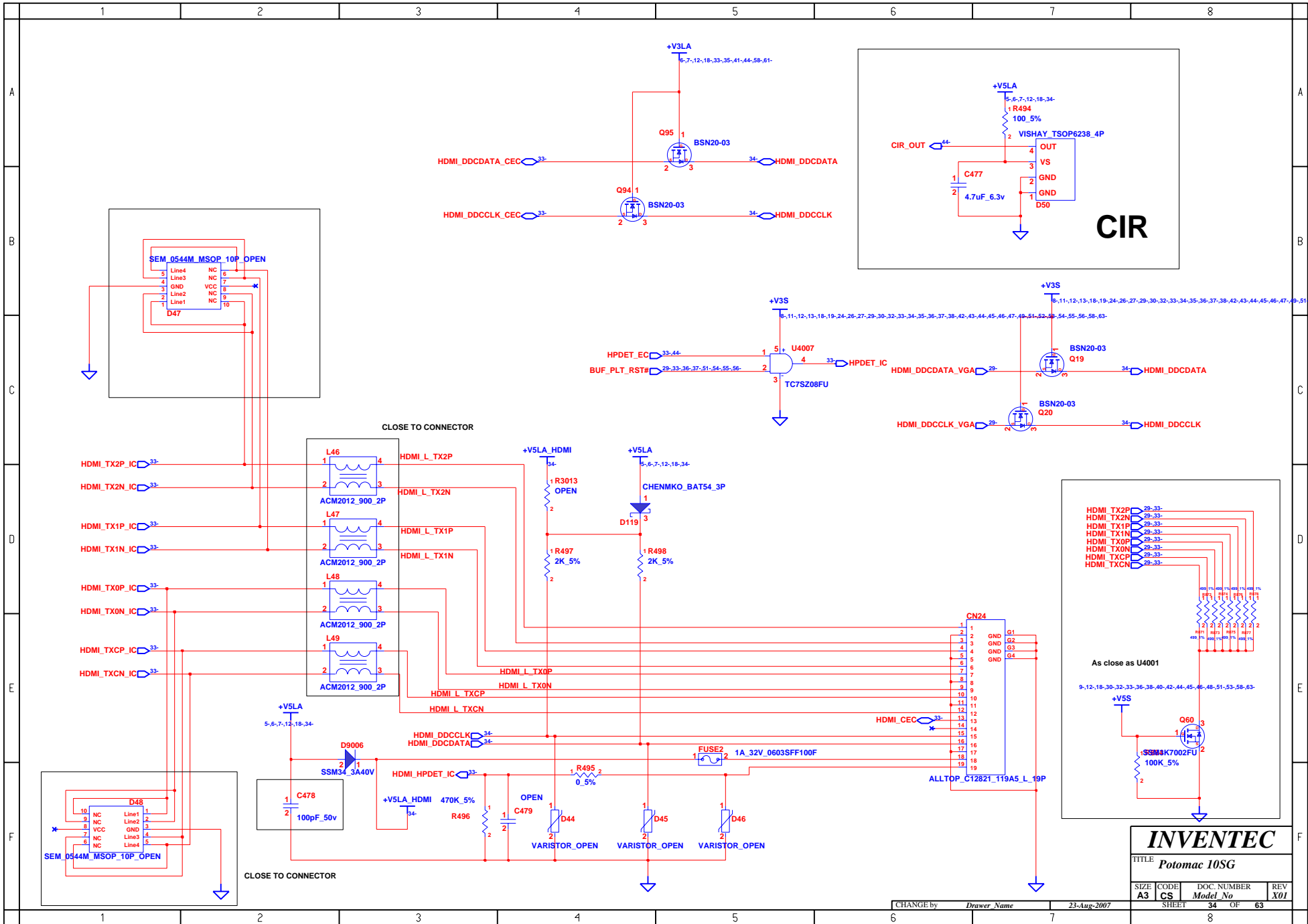


INVENTEC			
TITLE Potomac 10SG			
SIZE A3	CODE CS	DOC. NUMBER Model No	REV X01
CHANGE by <i>Drawer Name</i>		19-Nov-2007	SHEET 32 OF 63



INVENTEC				
TITLE <i>Potomac 10SG</i>				
SIZE A3	CODE CS	DOC. NUMBER Model No	REV X01	
SHEET 33 OF 63				

CHANGE by *Drawer Name* 23-Oct-2007



CIR

D48

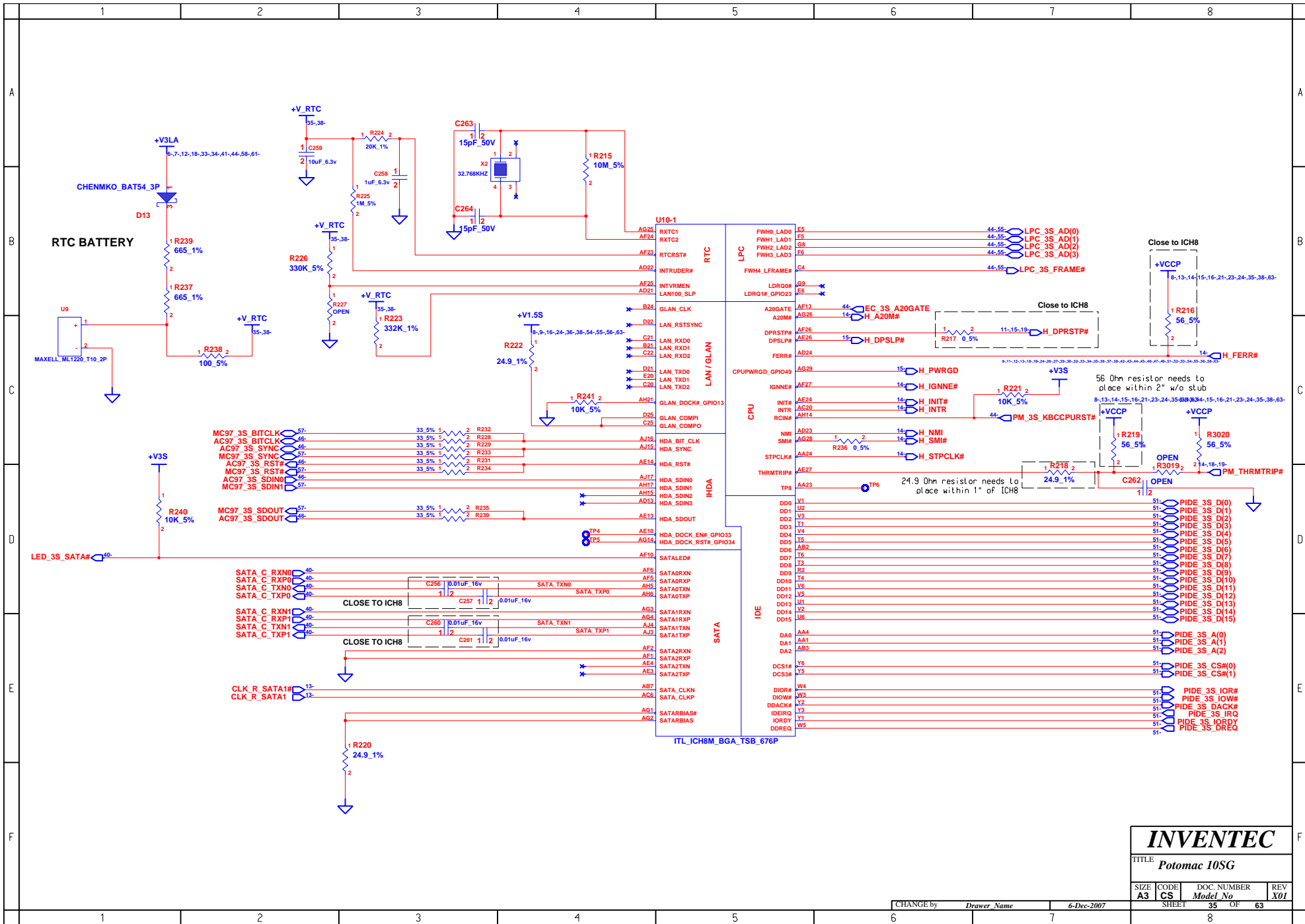
INVENTEC

Potomac 10SG

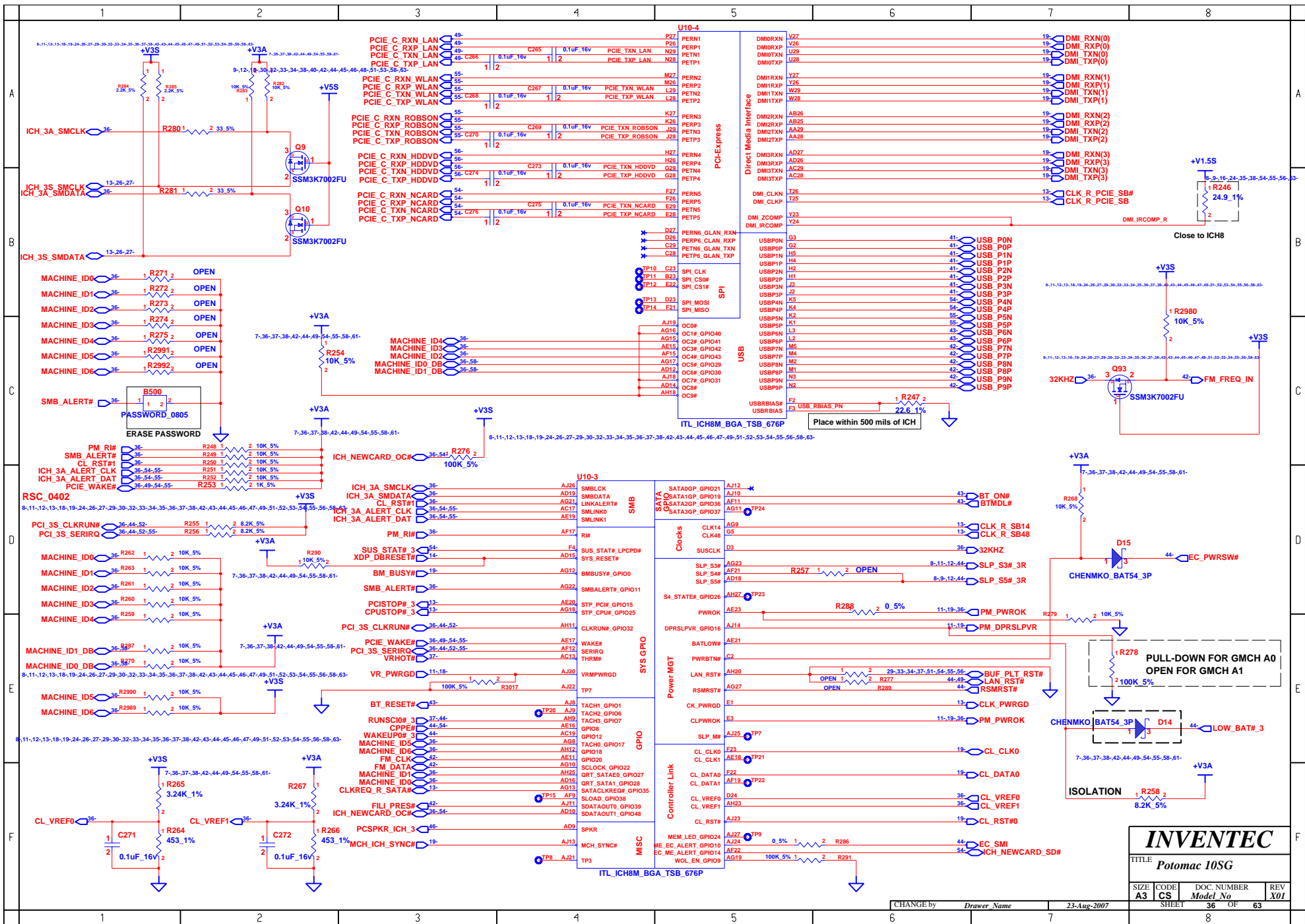
SIZE	CODE	DOC. NUMBER	REV
A3	CS	Model No	X01

CHANGE by *Drawer Name* 23-Aug-2007

SHEET 34 OF 63



INVENTEC			
TITLE Potomac 10SG			
SIZE A3	CODE CS	DOC. NUMBER Model No	REV X01
CHANGE by <i>Drawer Name</i>		6-Dec-2007	
SHEET 35		OF 63	



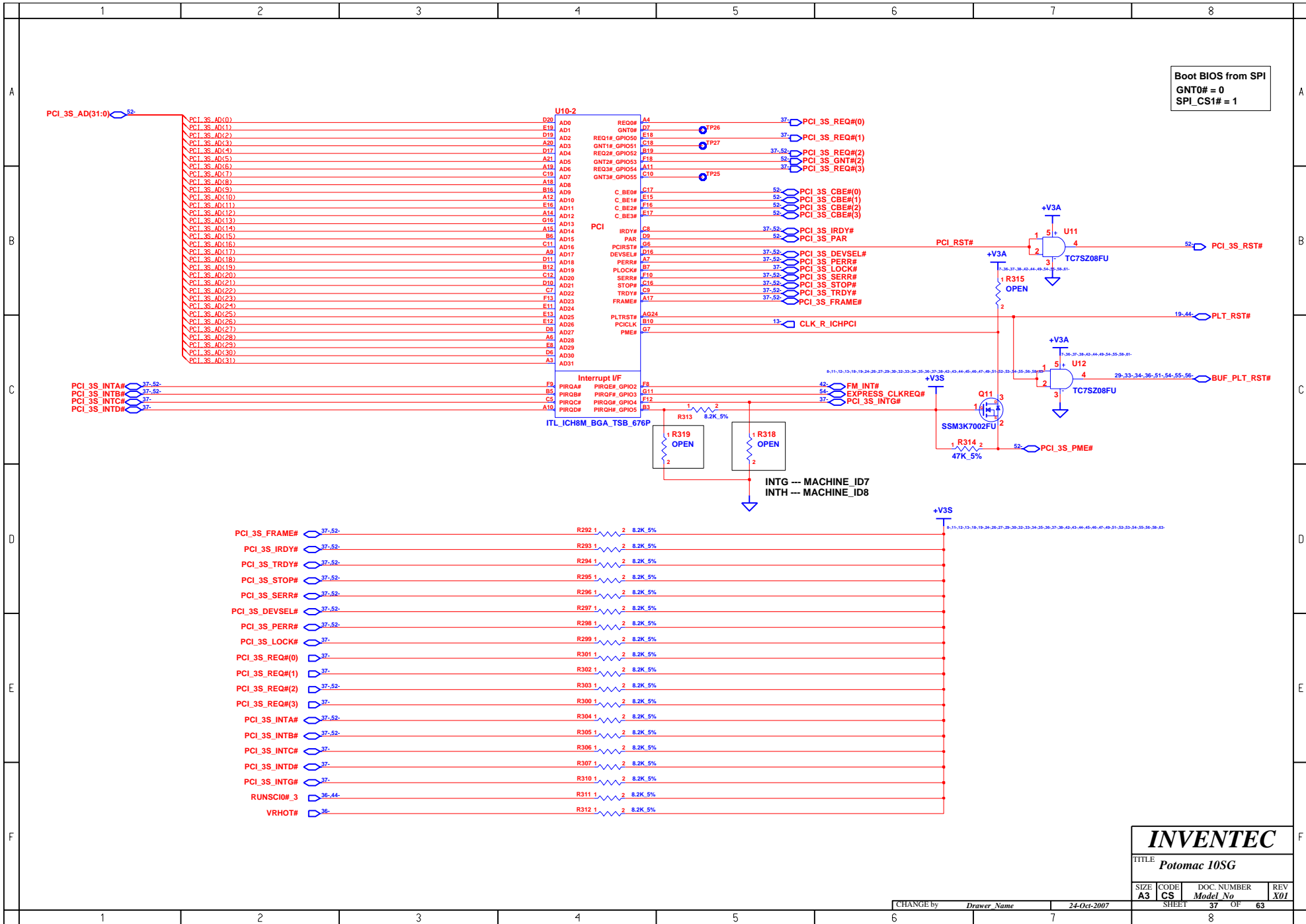
INVENTEC

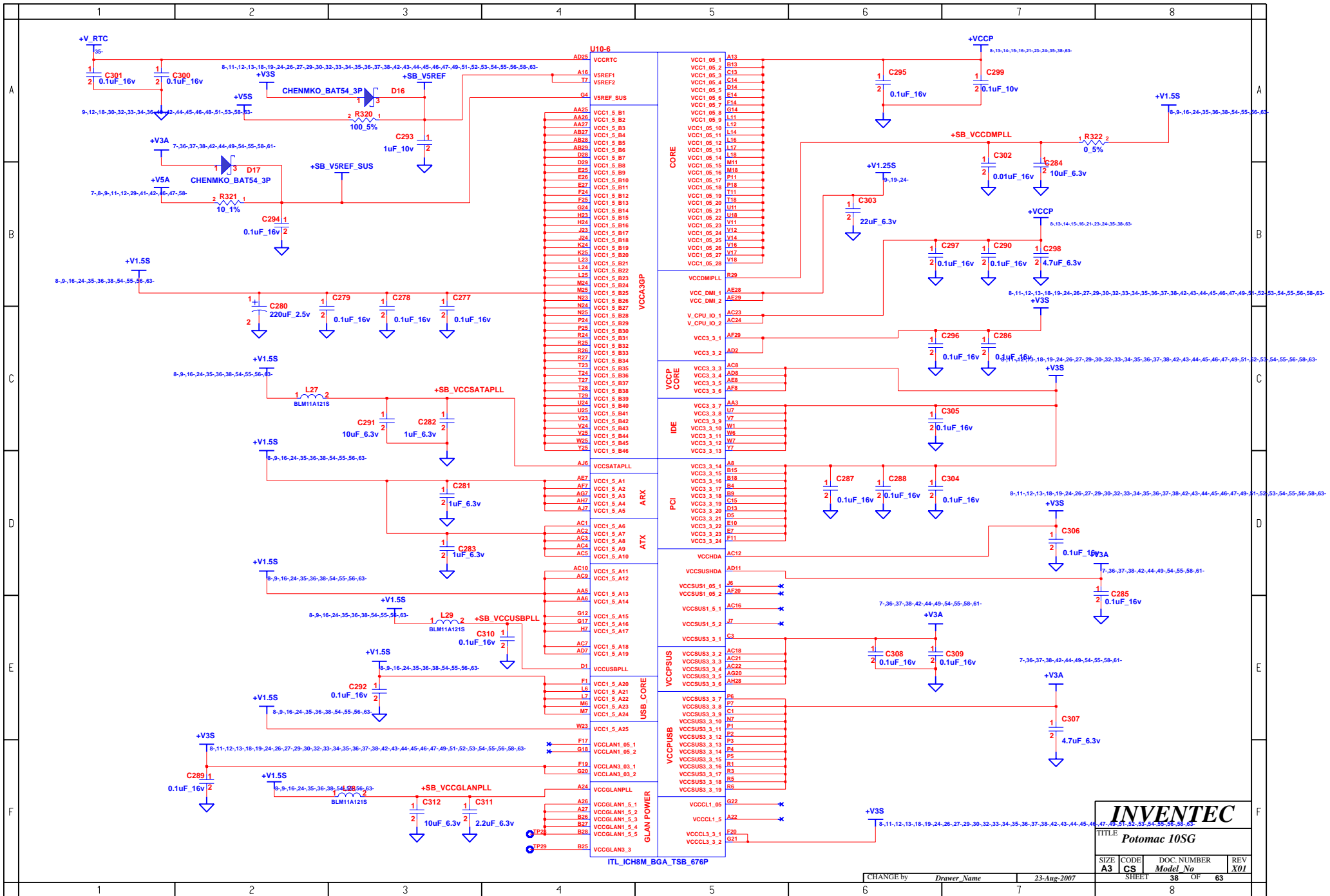
TITLE
Potomac 10SG

SIZE	CODE	DOC. NUMBER	REV
A3	CS	Model No	X01

SHEET	36	OF	63
-------	----	----	----

CHANGE by *Drawer Name* 23-Aug-2007





INVENTEC
Potomac 10SG

SIZE	CODE	DOC. NUMBER	REV
A3	CS	Model No	X01
SHEET		38	OF 63

CHANGE by *Drawer Name* 23-Aug-2007

U10-5

A23	VSS001	K7	
A5	VSS002	L1	
AA5	VSS003	L13	
AA7	VSS004	L15	
A25	VSS005	L26	
AB1	VSS006	L27	
AB24	VSS007	L4	
AC11	VSS008	L5	
AC14	VSS009	M12	
AC25	VSS010	M13	
AC27	VSS011	M14	
AD17	VSS012	M15	
AD20	VSS013	M16	
AD28	VSS014	M17	
AD29	VSS015	M22	
AD3	VSS016	M28	
AD3	VSS017	M29	
AD4	VSS018	M3	
AD5	VSS019	M1	
AE1	VSS020	N1	
AE12	VSS021	N11	
AE2	VSS022	N12	
AE22	VSS023	N13	
AD1	VSS024	N14	
AE25	VSS025	N15	
AE5	VSS026	N16	
AE5	VSS027	N17	
AE9	VSS028	N18	
AE9	VSS029	N26	
AF14	VSS030	N27	
AF18	VSS031	N4	
AF3	VSS032	N5	
AF4	VSS033	N6	
AG5	VSS034	P12	
AG6	VSS035	P13	
AH10	VSS036	P14	
AH13	VSS037	P15	
AH15	VSS038	P16	
AH2	VSS039	P17	
AH2	VSS040	P23	
AF28	VSS041	P28	
AH2	VSS042	P29	
AH24	VSS043	R11	
AH26	VSS044	R12	
AH5	VSS045	R13	
AH5	VSS046	R14	
AH5	VSS047	R15	
AJ5	VSS048	R16	
B1	VSS049	R17	
B14	VSS050	R18	
B17	VSS051	R28	
B2	VSS052	R4	
B25	VSS053	T12	
B25	VSS054	T13	
B8	VSS055	T14	
C24	VSS056	T15	
C25	VSS057	T16	
C27	VSS058	T17	
C6	VSS059	T2	
D14	VSS060	U12	
D15	VSS061	U13	
D15	VSS062	U14	
D2	VSS063	U15	
D4	VSS064	U16	
E21	VSS065	U17	
E24	VSS066	U26	
E4	VSS067	U3	
E5	VSS068	U7	
F15	VSS069	U9	
E23	VSS070	U5	
F28	VSS071	V13	
F28	VSS072	V28	
F3	VSS073	V29	
G1	VSS074	W2	
F4	VSS075	W26	
G15	VSS076	W27	
G13	VSS077	Y28	
G19	VSS078	Y29	
G23	VSS079	Y4	
G25	VSS080	AB4	
G26	VSS081	AB23	
G27	VSS082	AB5	
H25	VSS083	AB6	
H28	VSS084	AD5	
H28	VSS085	U4	
H3	VSS086	W24	
H6	VSS087	VSS_NCTF_01	A1
J1	VSS088	VSS_NCTF_02	A2
J25	VSS089	VSS_NCTF_03	A28
J28	VSS090	VSS_NCTF_04	A29
J2	VSS091	VSS_NCTF_05	AH1
J4	VSS092	VSS_NCTF_06	AH2
J5	VSS093	VSS_NCTF_07	AJ1
K23	VSS094	VSS_NCTF_08	AJ2
K26	VSS095	VSS_NCTF_09	AJ28
K25	VSS096	VSS_NCTF_010	AJ29
K3	VSS097	VSS_NCTF_011	B1
K6	VSS098	VSS_NCTF_012	B29

ITL_ICH8M_BGA_TSB_676P

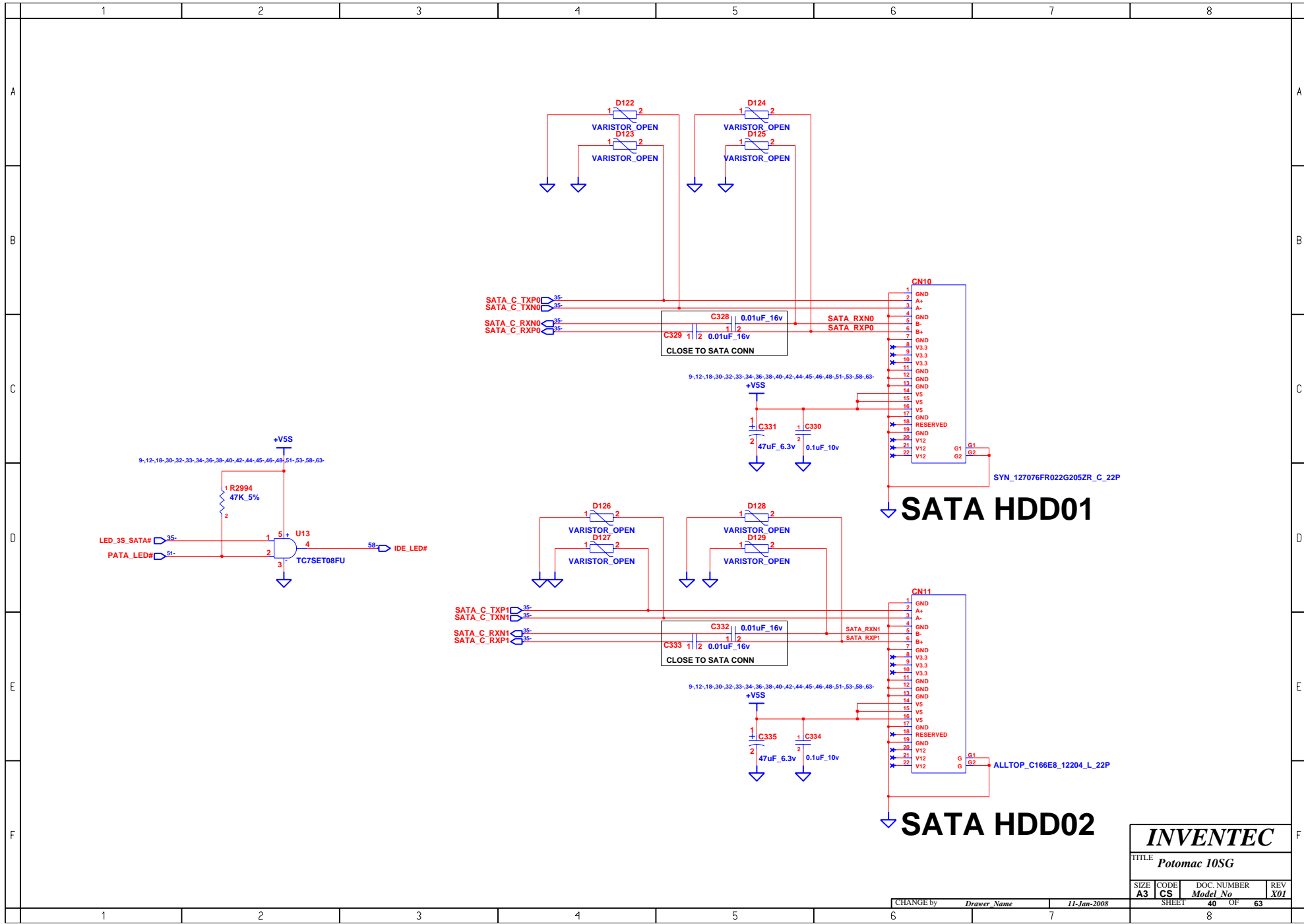


INVENTEC

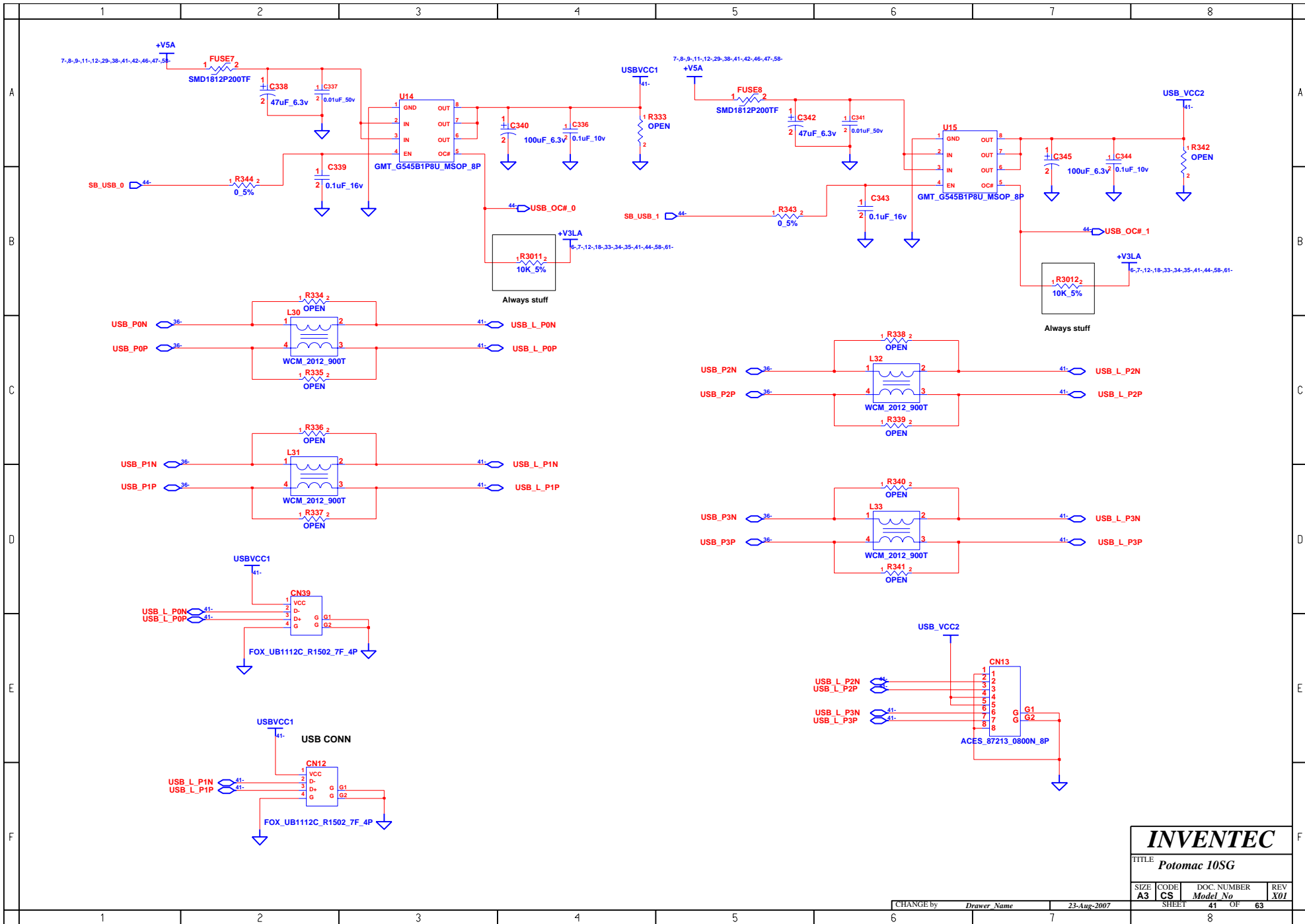
TITLE
Potomac 10SG

SIZE A3	CODE CS	DOC. NUMBER <i>Model No</i>	REV X01
CHANGE by		23-Aug-2007	
SHEET		39	OF 63

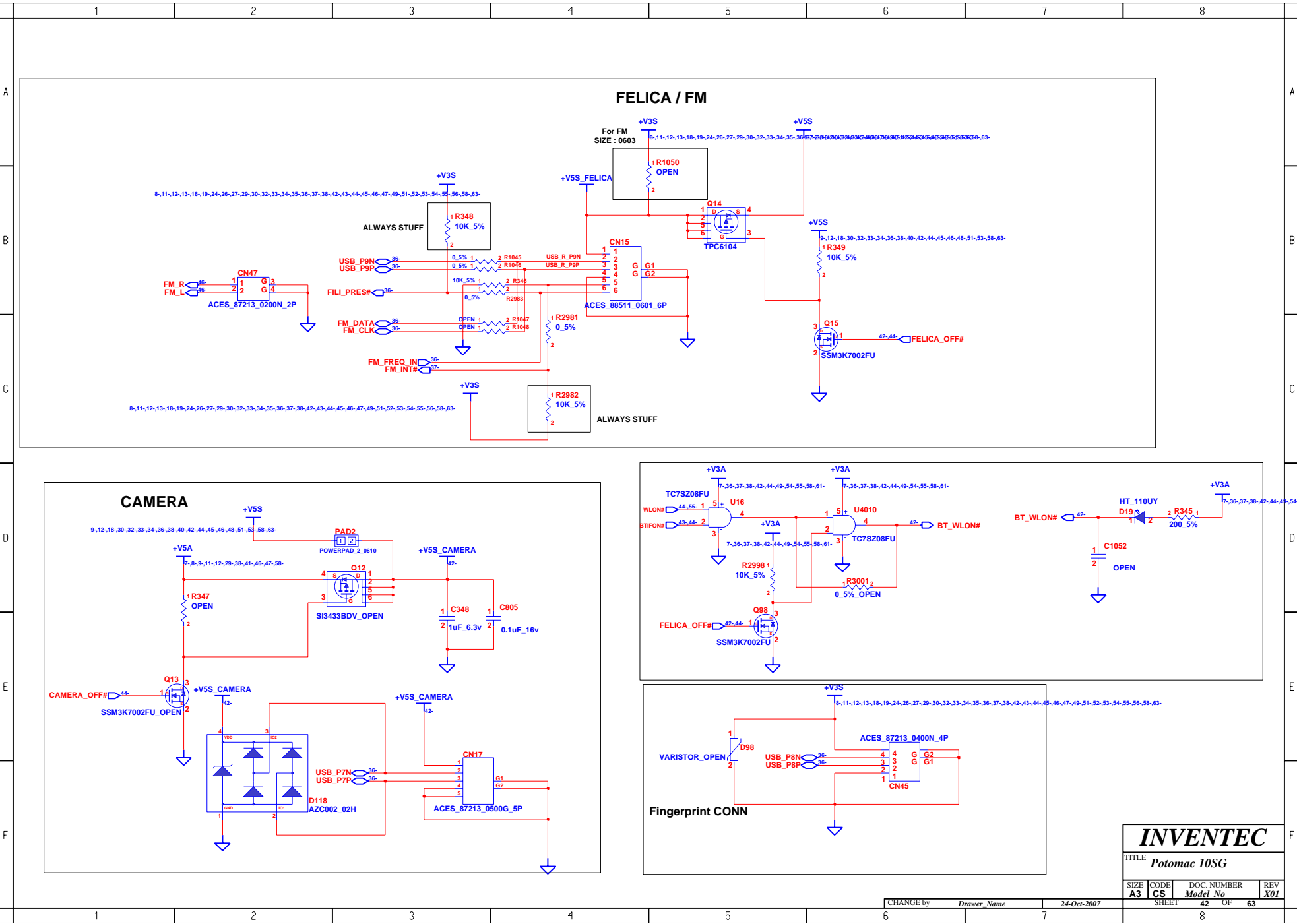
CHANGE by *Drawer Name* 23-Aug-2007



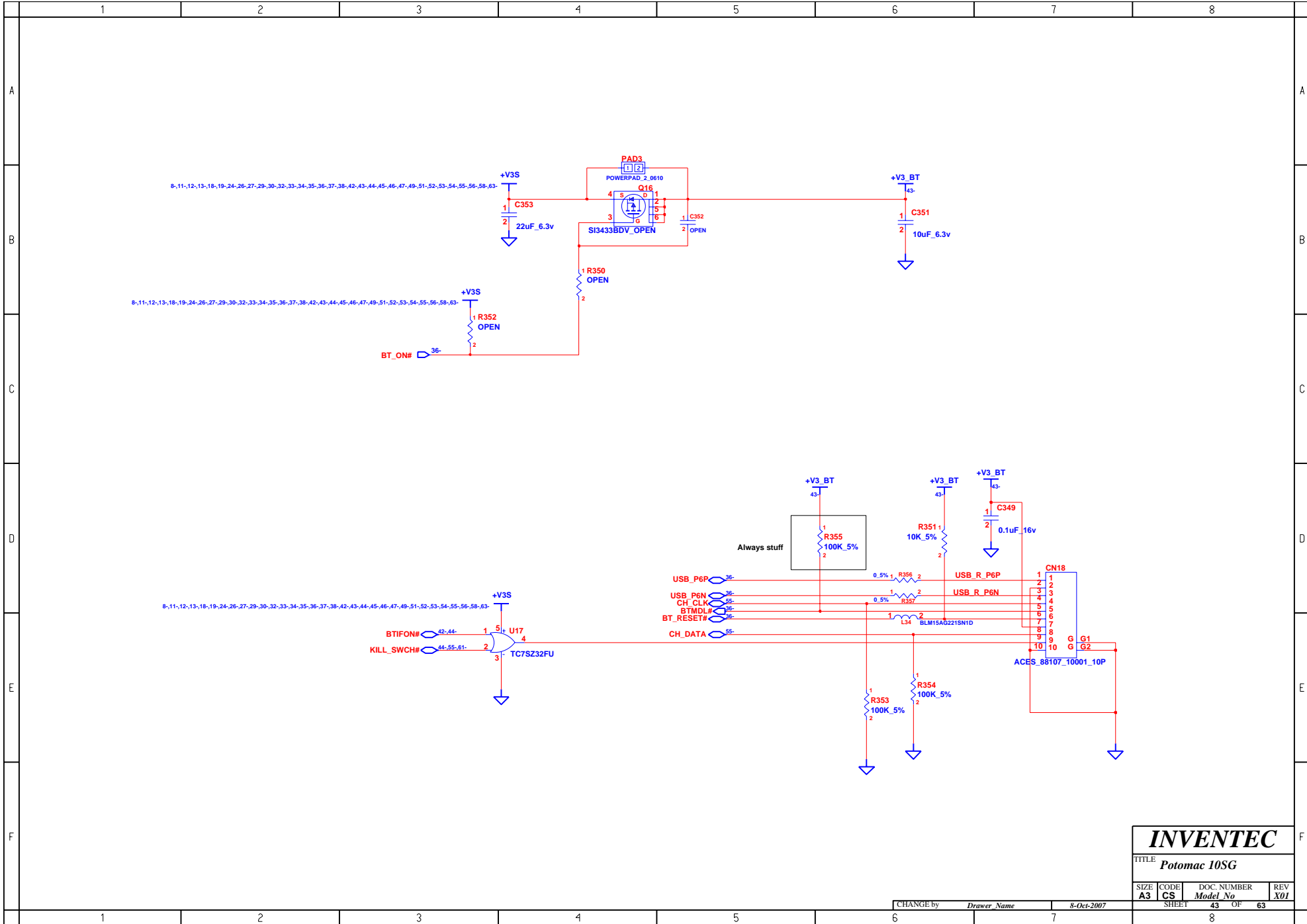
INVENTEC			
TITLE <i>Potomac 10SG</i>			
SIZE A3	CODE CS	DOC. NUMBER <i>Model No</i>	REV X01
CHANGE by <i>Drawer Name</i>		11-Jan-2008	
SHEET 40		OF 63	



INVENTEC			
TITLE Potomac 10SG			
SIZE A3	CODE CS	DOC. NUMBER <i>Model No</i>	REV X01
CHANGE by <i>Drawer Name</i>		23-Aug-2007	SHEET 41 OF 63



INVENTEC			
TITLE <i>Potomac 10SG</i>			
SIZE A3	CODE CS	DOC. NUMBER <i>Model No</i>	REV X01
CHANGE by <i>Drawer Name</i>		24-Oct-2007	
SHEET 42		OF 63	



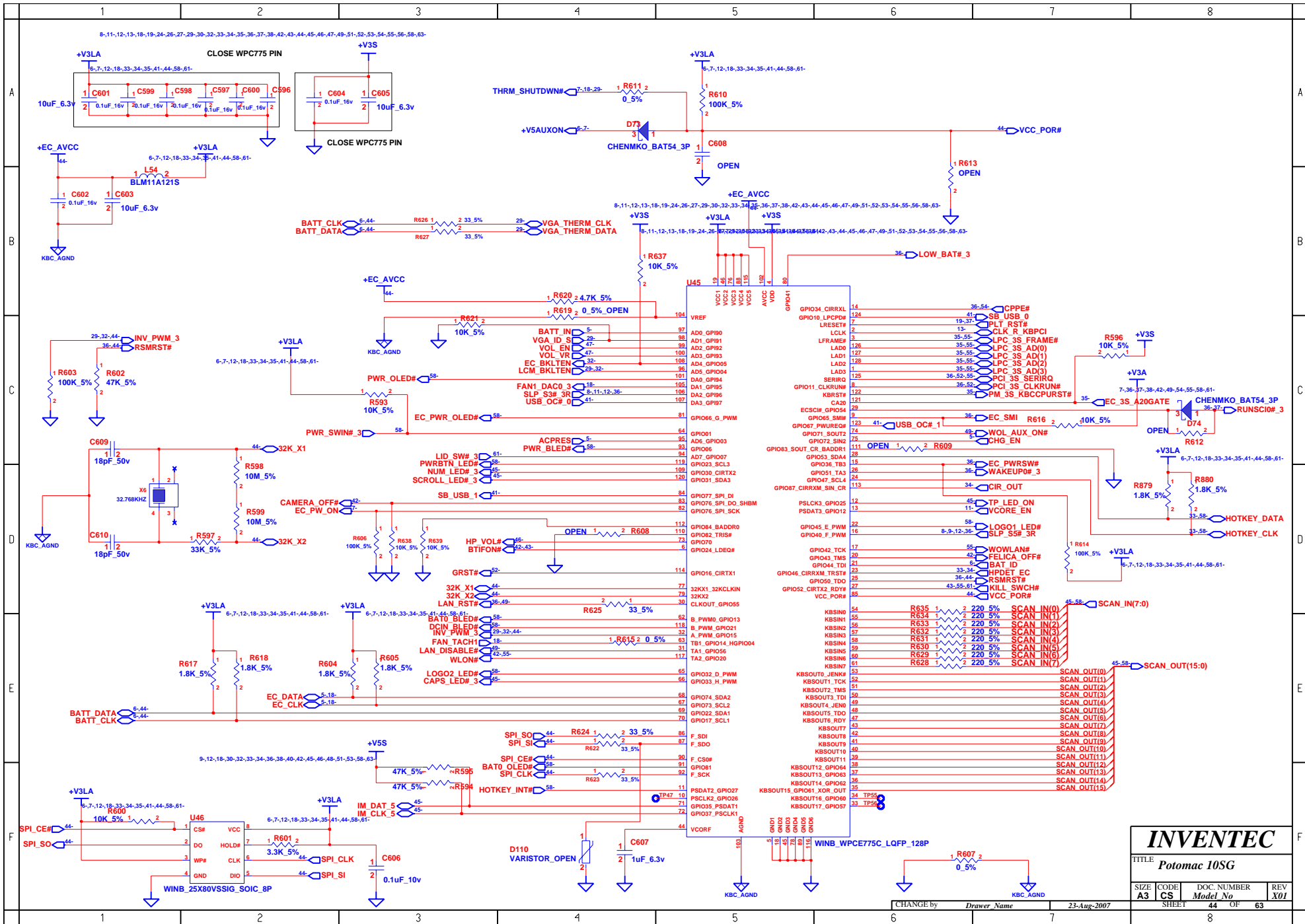
INVENTEC

TITLE
Potomac 10SG

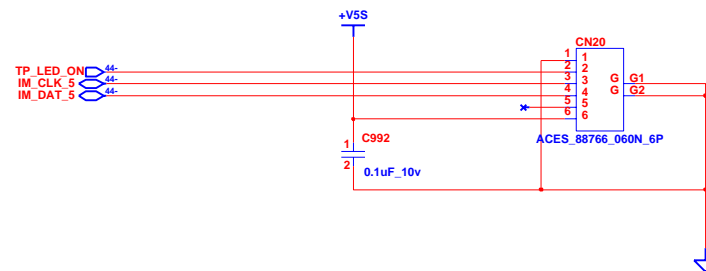
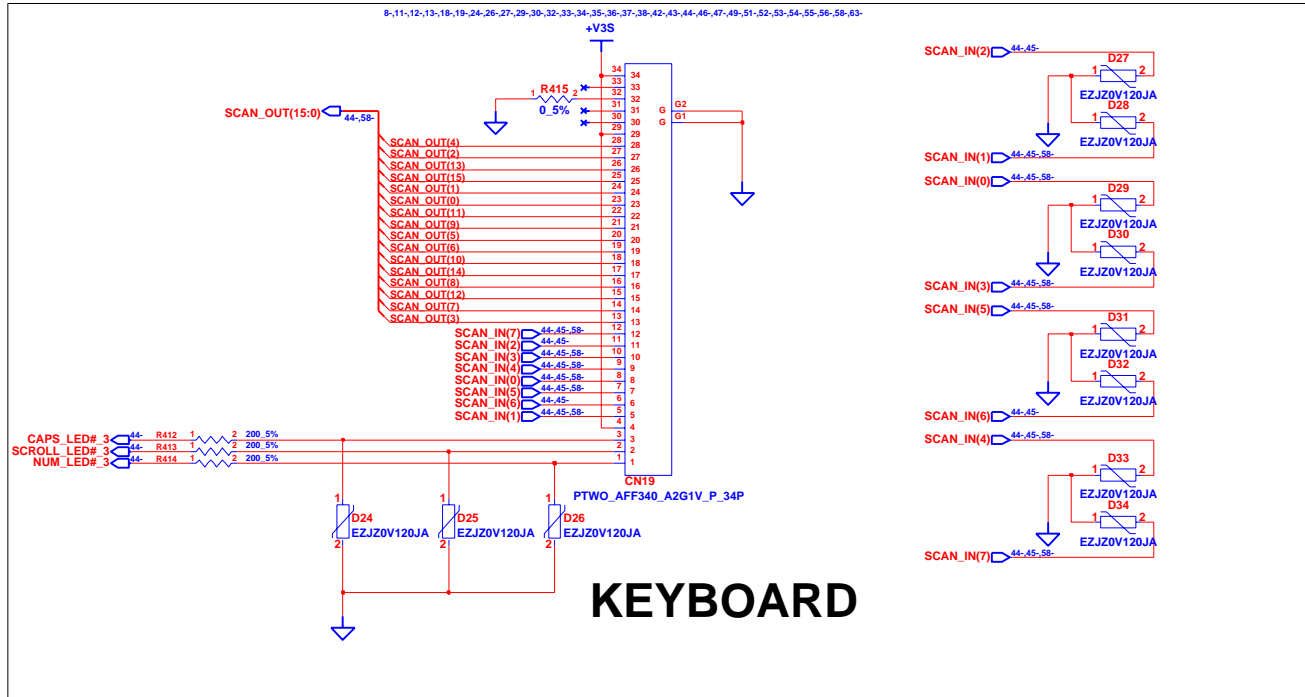
SIZE A3	CODE CS	DOC. NUMBER <i>Model No</i>	REV X01
-------------------	-------------------	--------------------------------	-------------------

CHANGE by *Drawer Name* 8-Oct-2007

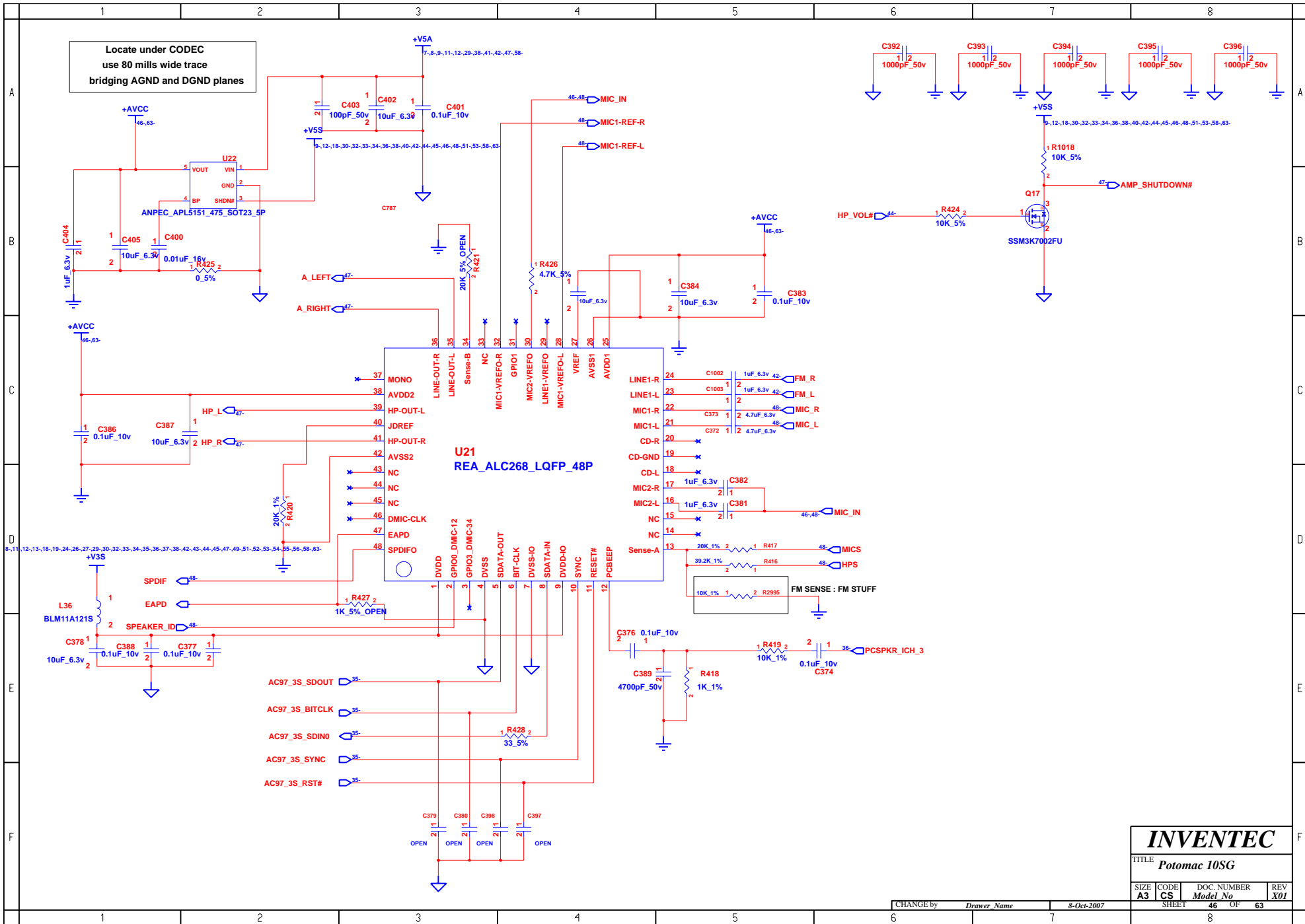
SHEET 43 OF 63

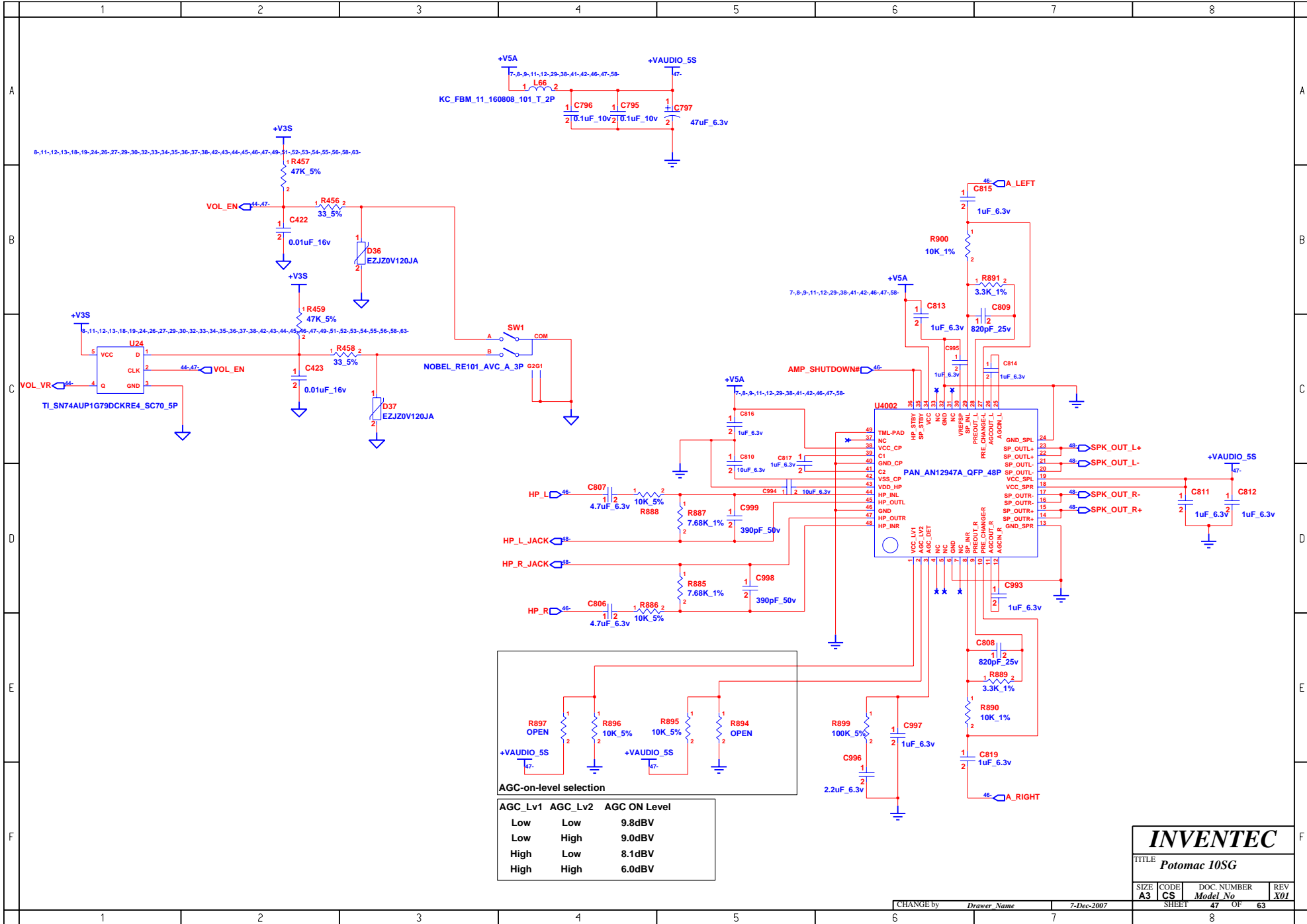


INVENTEC			
TITLE Potomac 10SG			
SIZE A3	CODE CS	DOC. NUMBER <i>Model No</i>	REV X01
CHANGE by <i>Drawer Name</i>		23-Aug-2007	
SHEET 44		OF 63	



INVENTEC			
TITLE <i>Potomac 10SG</i>			
SIZE A3	CODE CS	DOC. NUMBER <i>Model No</i>	REV X01
CHANGE by <i>Drawer Name</i>		3-Sep-2007	SHEET 45 OF 63





AGC-on-level selection

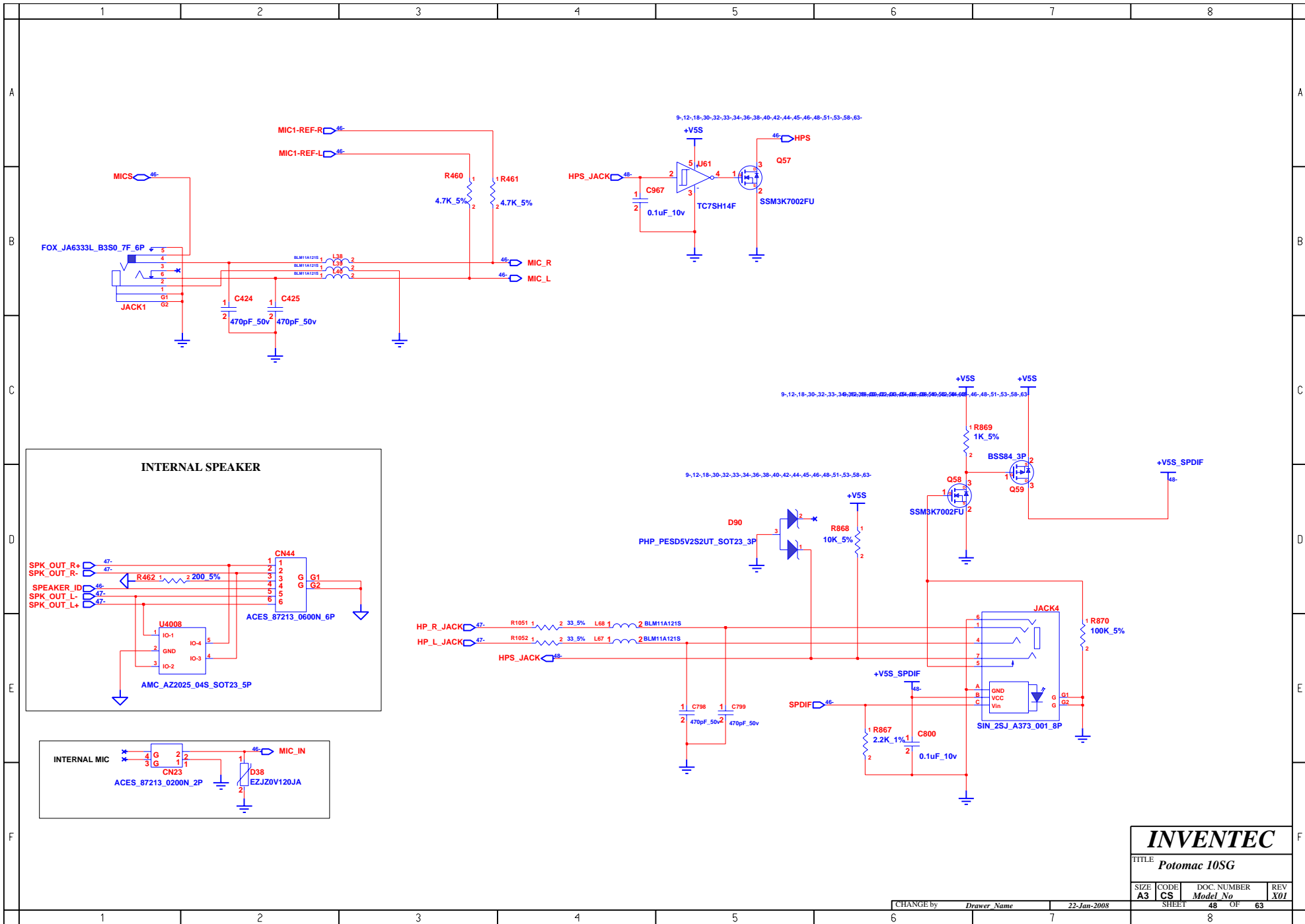
AGC_Lv1	AGC_Lv2	AGC ON Level
Low	Low	9.8dBV
Low	High	9.0dBV
High	Low	8.1dBV
High	High	6.0dBV

INVENTEC

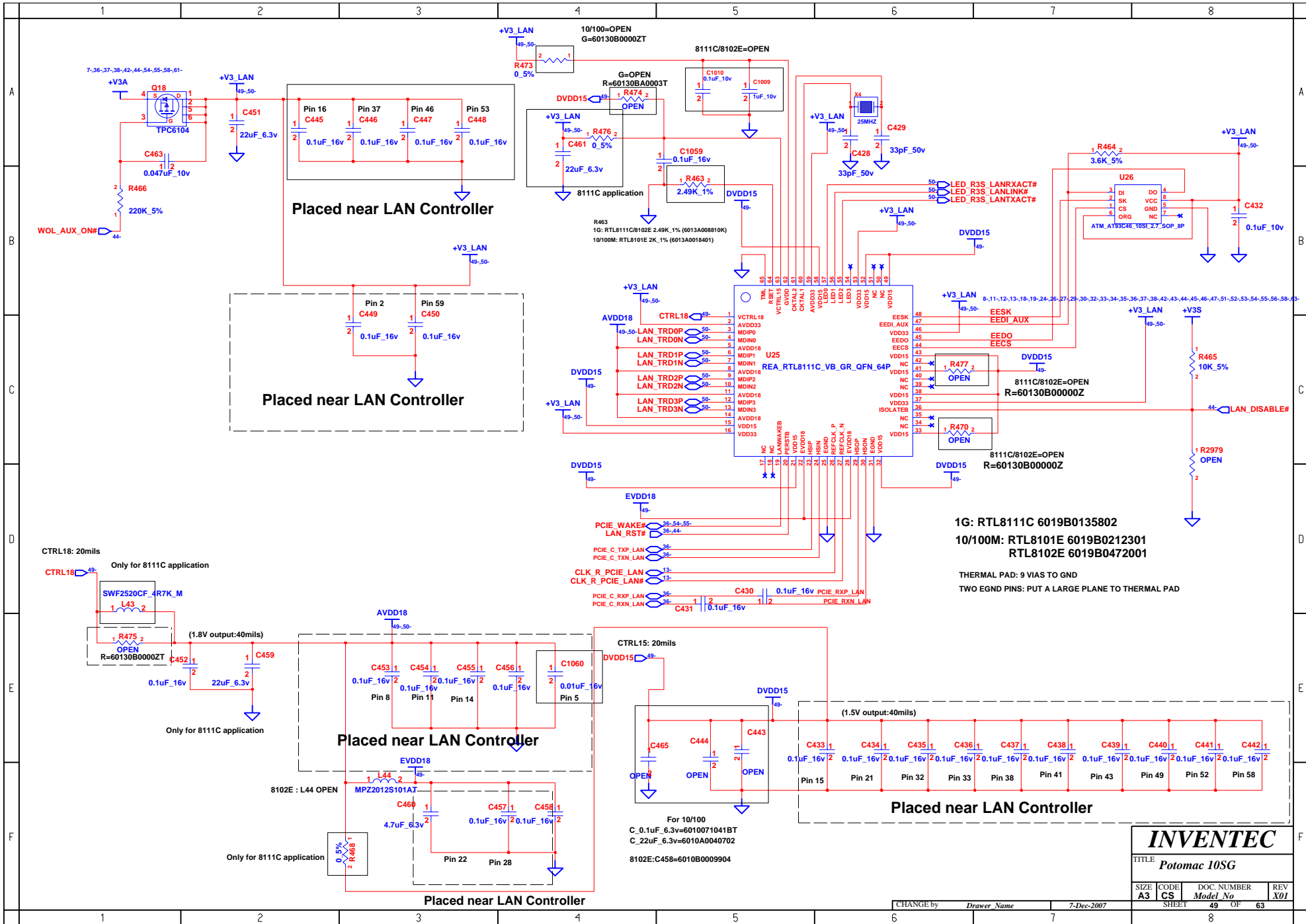
TITLE: Potomac 10SG

SIZE	CODE	DOC. NUMBER	REV
A3	CS	Model No	X01

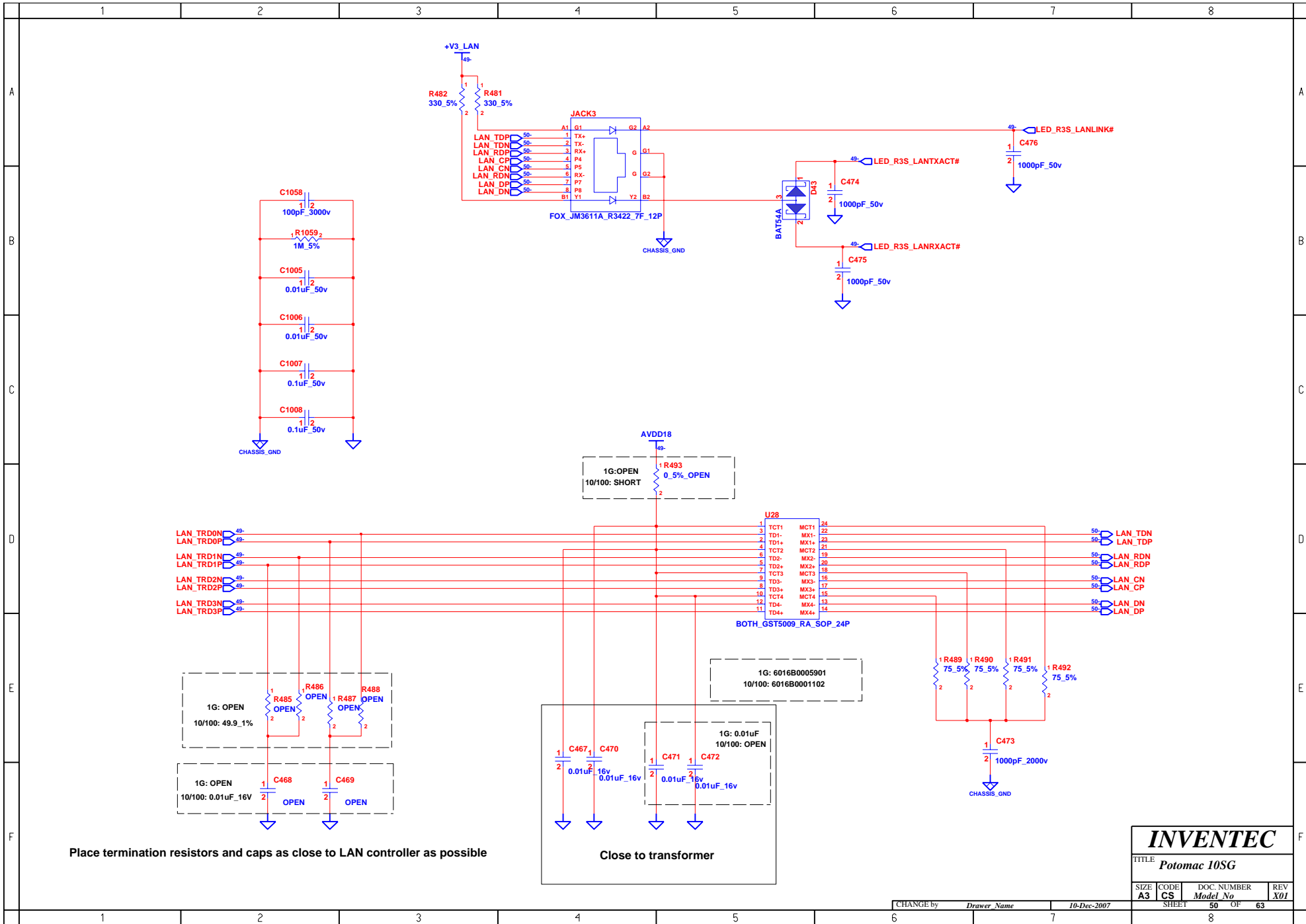
SHEET 47 OF 63



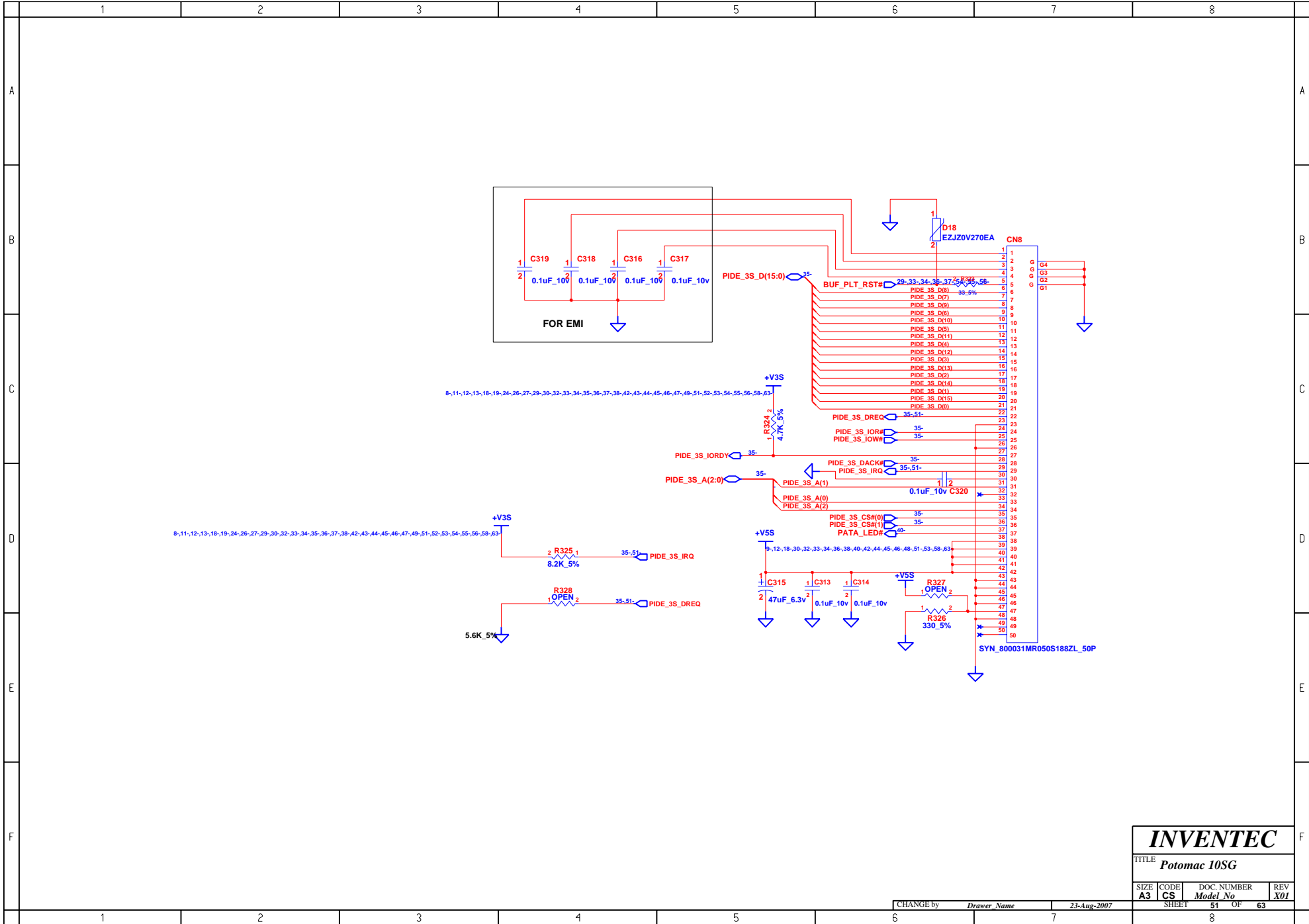
INVENTEC			
TITLE <i>Potomac 10SG</i>			
SIZE A3	CODE CS	DOC. NUMBER <i>Model No</i>	REV X01
CHANGE by <i>Drawer Name</i>		22-Jan-2008	SHEET 48 OF 63



INVENTEC			
TITLE <i>Potomac 10SG</i>			
SIZE A3	CODE CS	DOC. NUMBER Model No	REV X01
CHANGE by Drawer Name		7-Dec-2007	
SHEET 49		OF 63	



INVENTEC			
TITLE <i>Potomac 10SG</i>			
SIZE A3	CODE CS	DOC. NUMBER <i>Model No</i>	REV X01
CHANGE by <i>Drawer Name</i>		10-Dec-2007	SHEET 50 OF 63

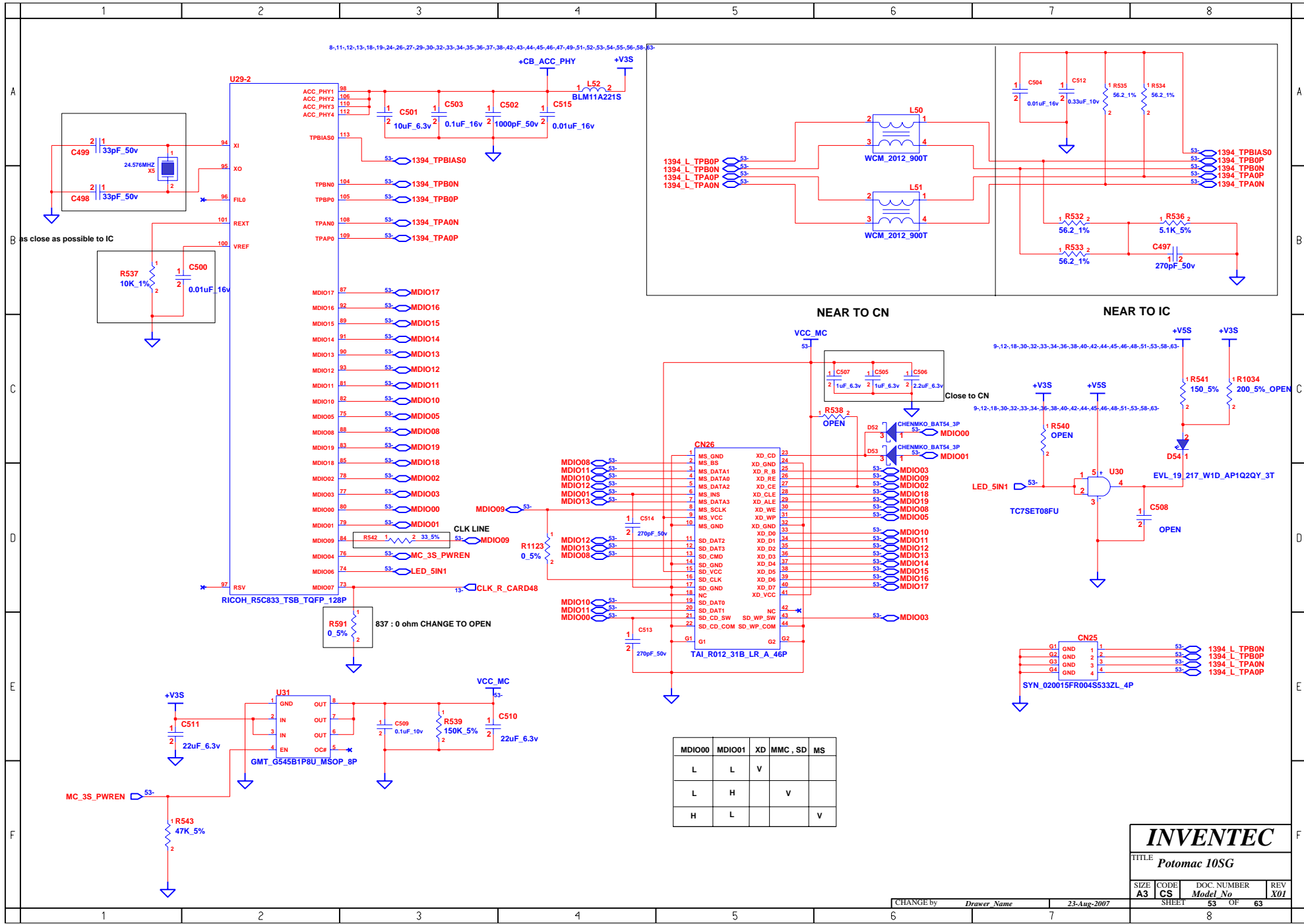


INVENTEC

TITLE
Potomac 10SG

SIZE A3	CODE CS	DOC. NUMBER <i>Model No</i>	REV X01
-------------------	-------------------	--------------------------------	-------------------

CHANGE by	<i>Drawer Name</i>	23-Aug-2007	SHEET 51 OF 63
-----------	--------------------	-------------	----------------

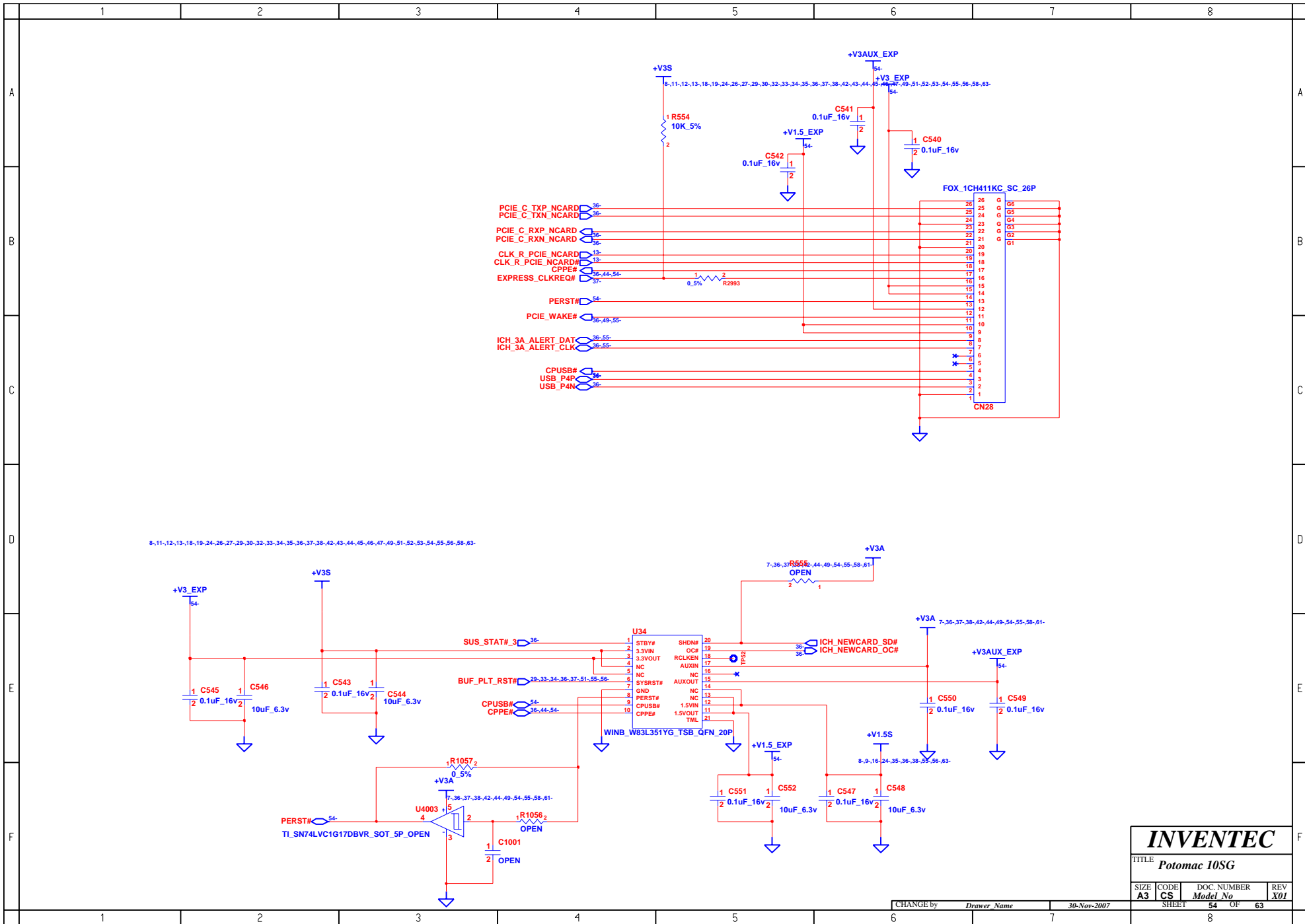


MDIO00	MDIO01	XD	MMC , SD	MS
L	L	V		
L	H	V		
H	L		V	

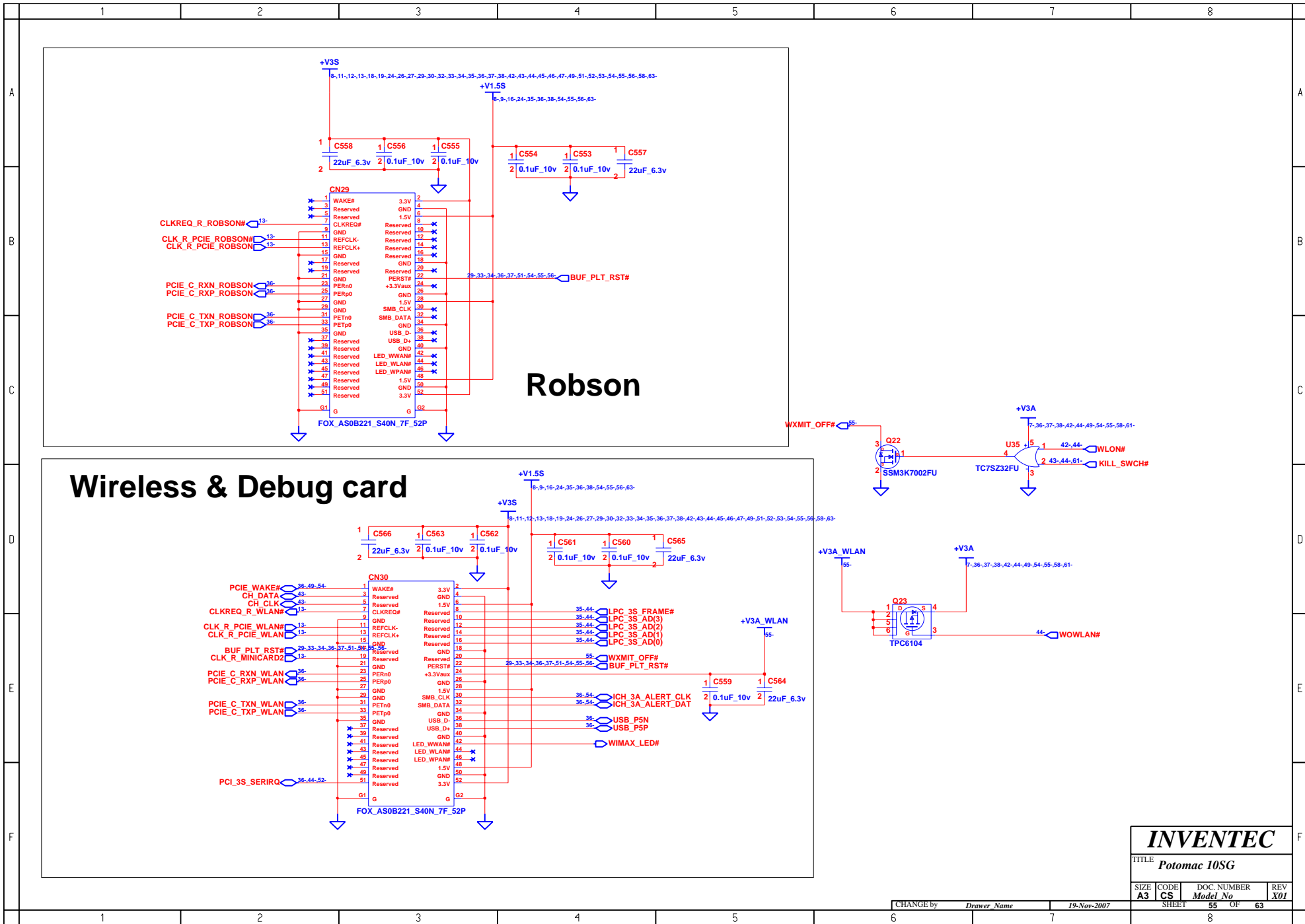
INVENTEC

TITLE
Potomac 10SG

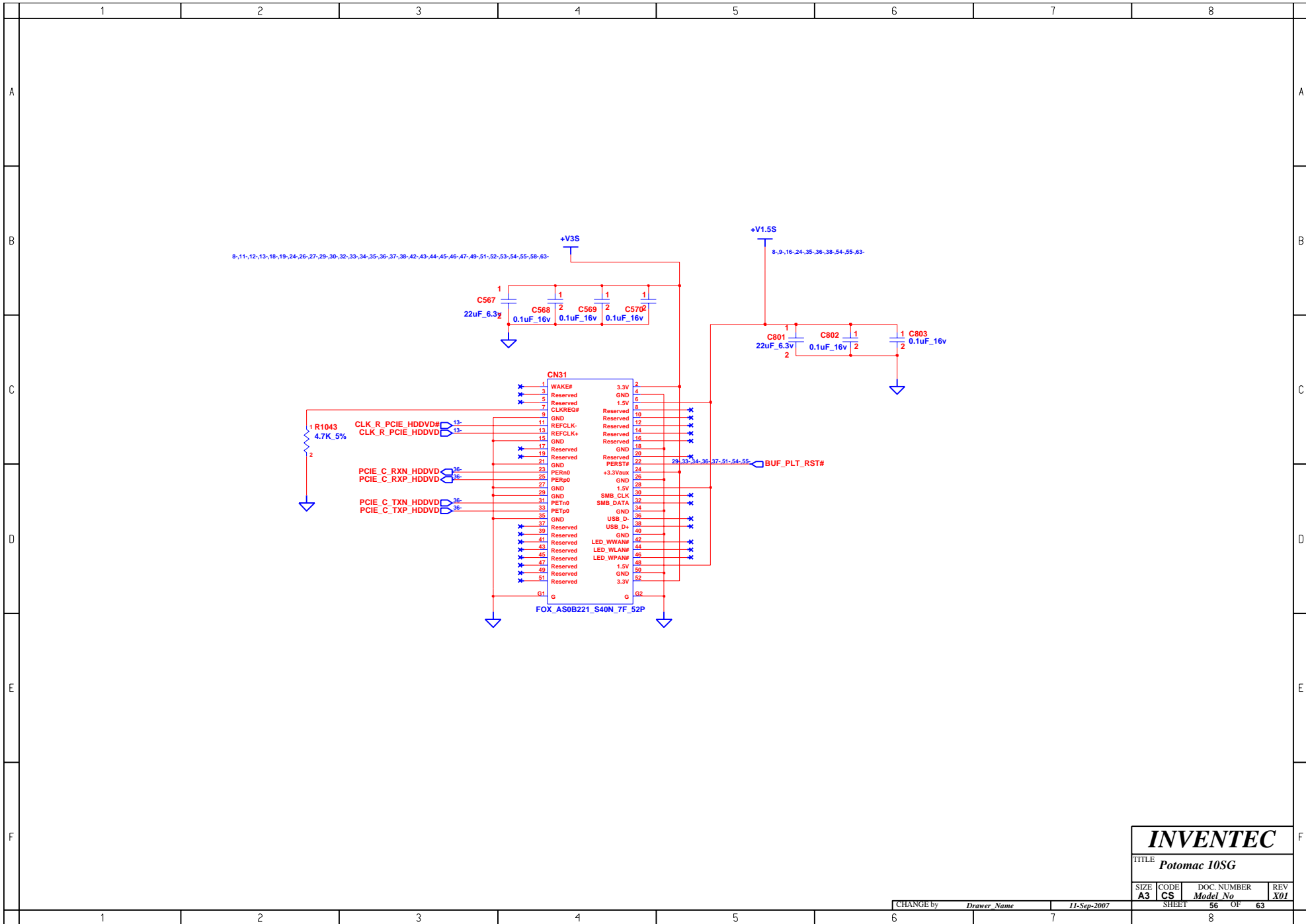
SIZE	CODE	DOC. NUMBER	REV
A3	CS	Model No	X01



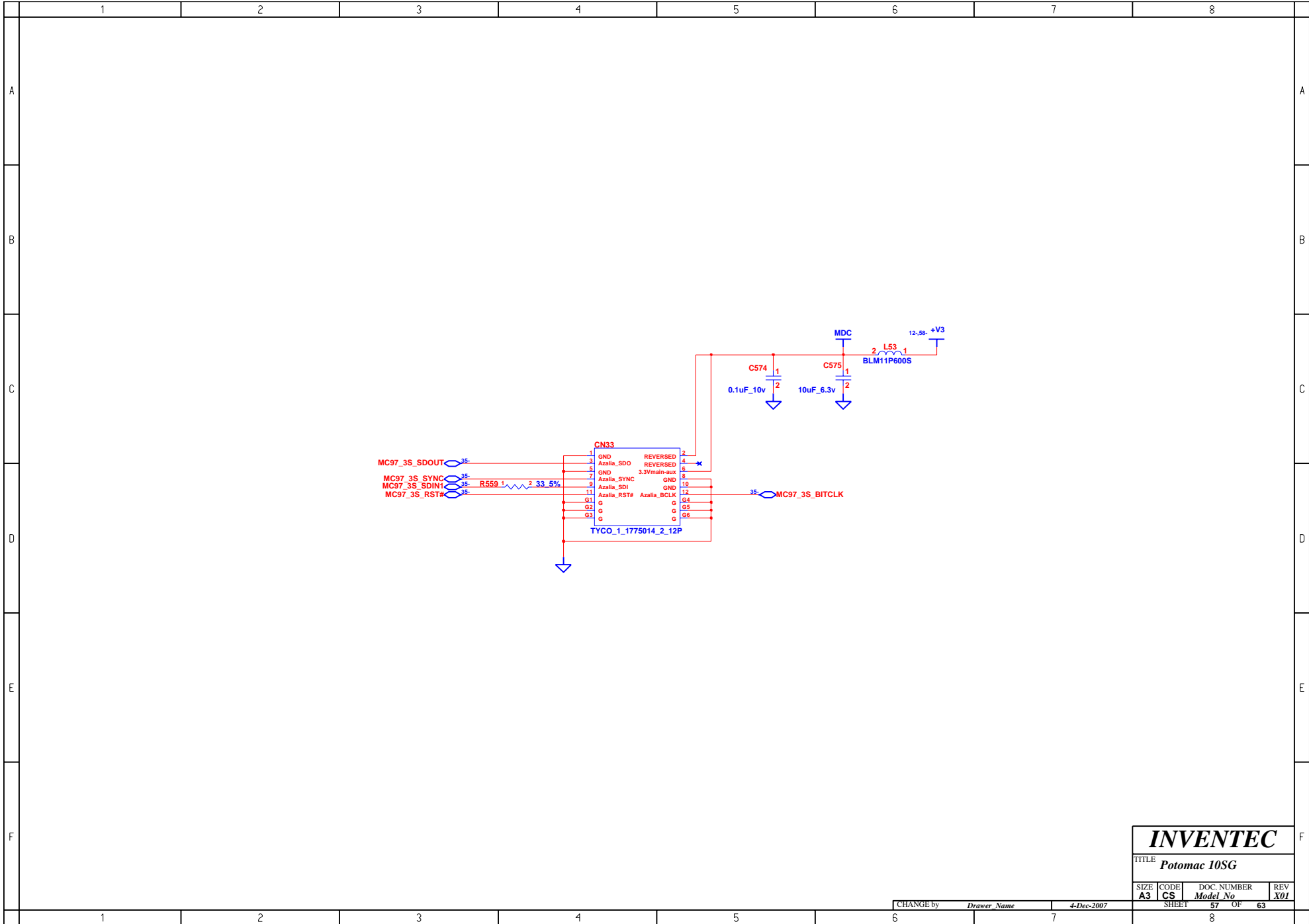
INVENTEC				
TITLE Potomac 10SG				
SIZE A3	CODE CS	DOC. NUMBER <i>Model No</i>	REV X01	
CHANGE by <i>Drawer Name</i>			30-Nov-2007	
SHEET 54 OF 63				



INVENTEC			
TITLE <i>Potomac 10SG</i>			
SIZE A3	CODE CS	DOC. NUMBER <i>Model No</i>	REV X01
CHANGE by <i>Drawer Name</i>		19-Nov-2007	
SHEET		55 OF 63	



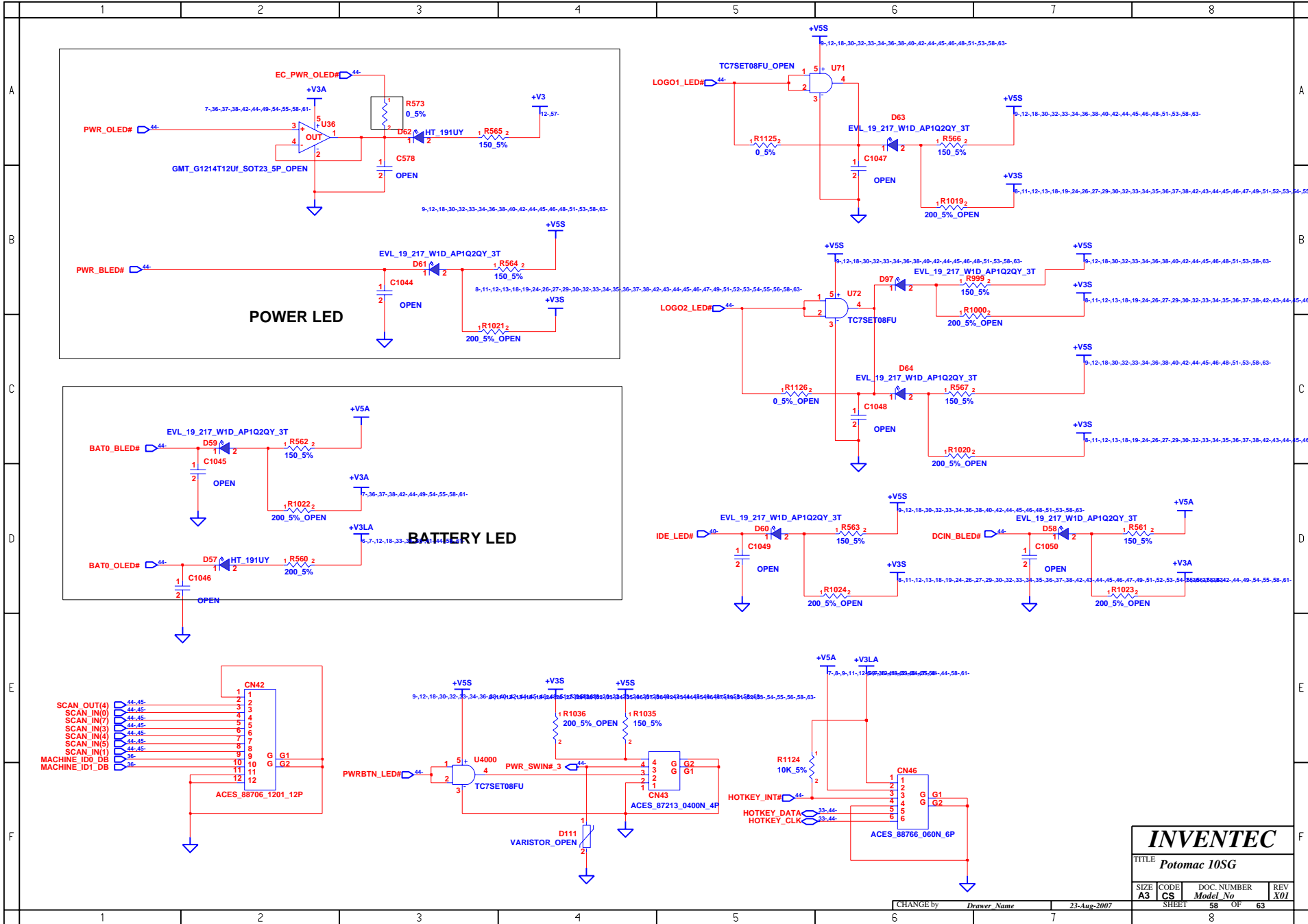
INVENTEC			
TITLE Potomac 10SG			
SIZE A3	CODE CS	DOC. NUMBER <i>Model No</i>	REV X01
CHANGE by <i>Drawer Name</i>		11-Sep-2007	SHEET 56 OF 63



INVENTEC

TITLE
Potomac 10SG

SIZE A3	CODE CS	DOC. NUMBER <i>Model No</i>	REV X01
-------------------	-------------------	--------------------------------	-------------------



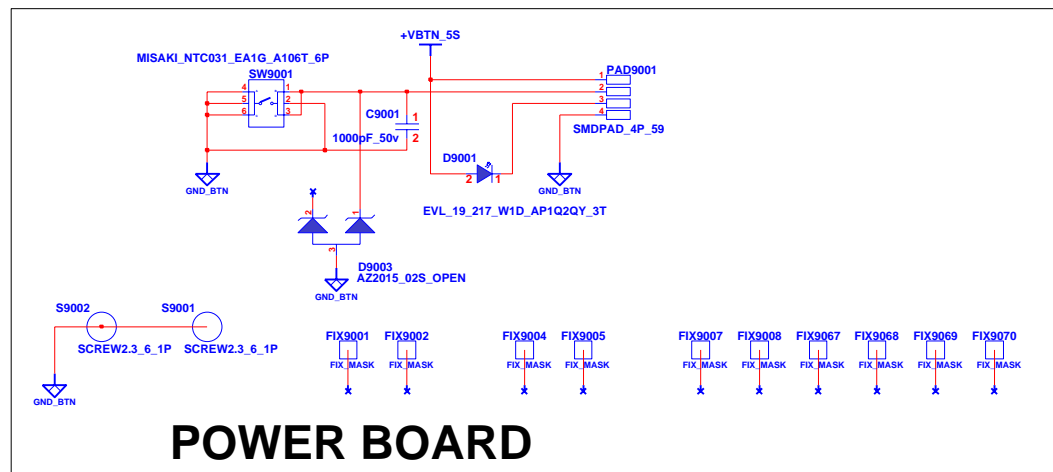
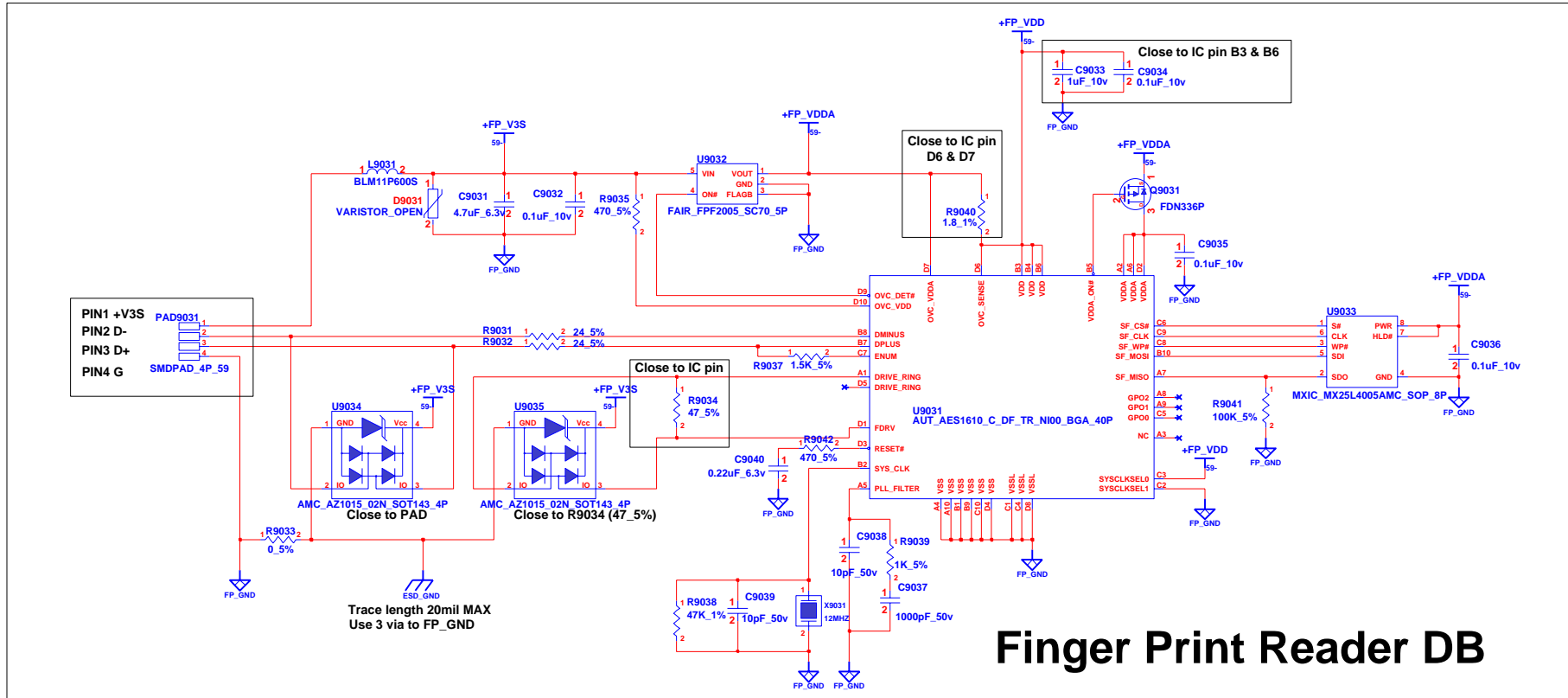
INVENTEC

TITLE *Potomac 10SG*

SIZE	CODE	DOC. NUMBER	REV
A3	CS	Model No	X01

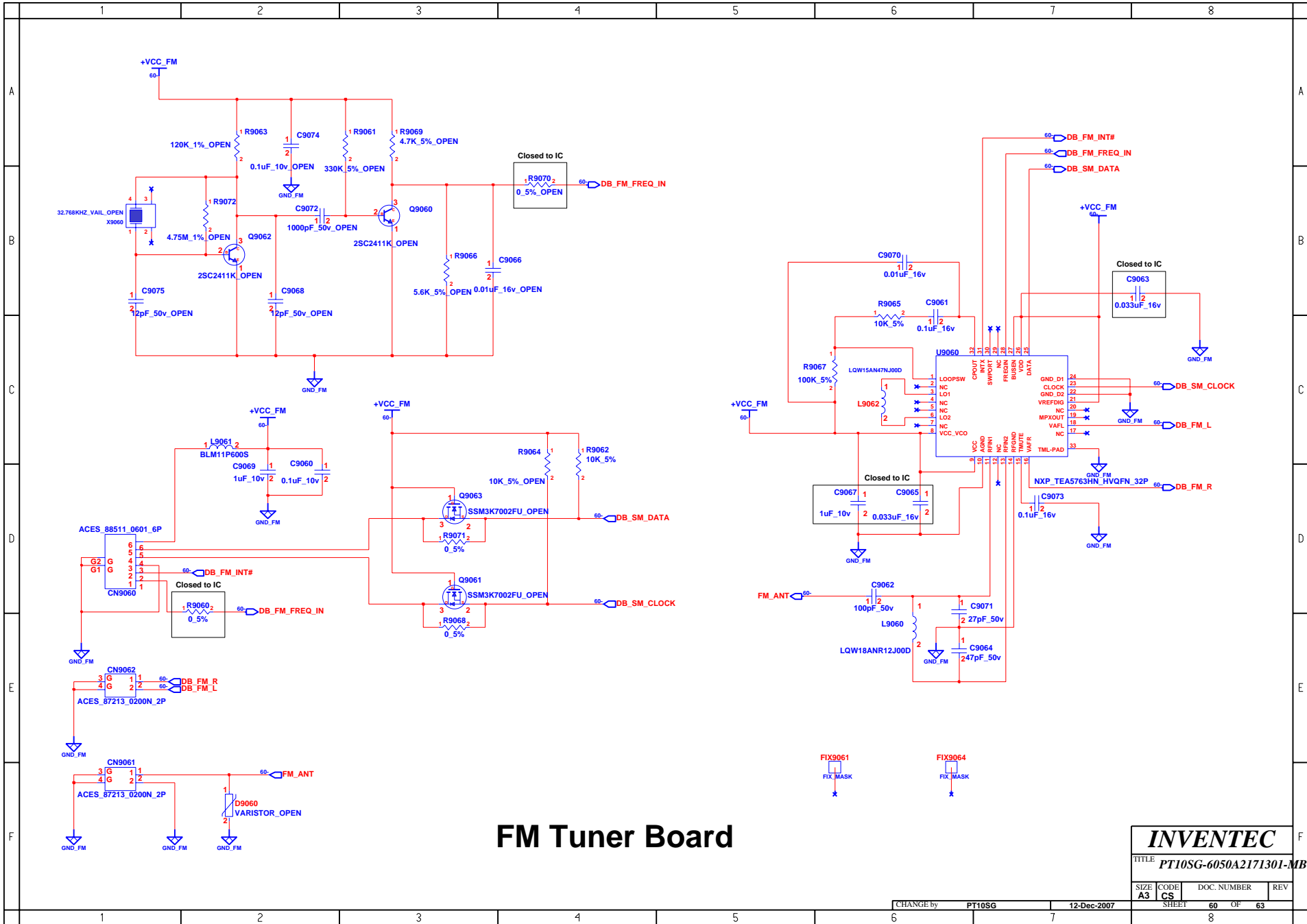
CHANGE by *Drawer Name* 23-Aug-2007

SHEET 58 OF 63



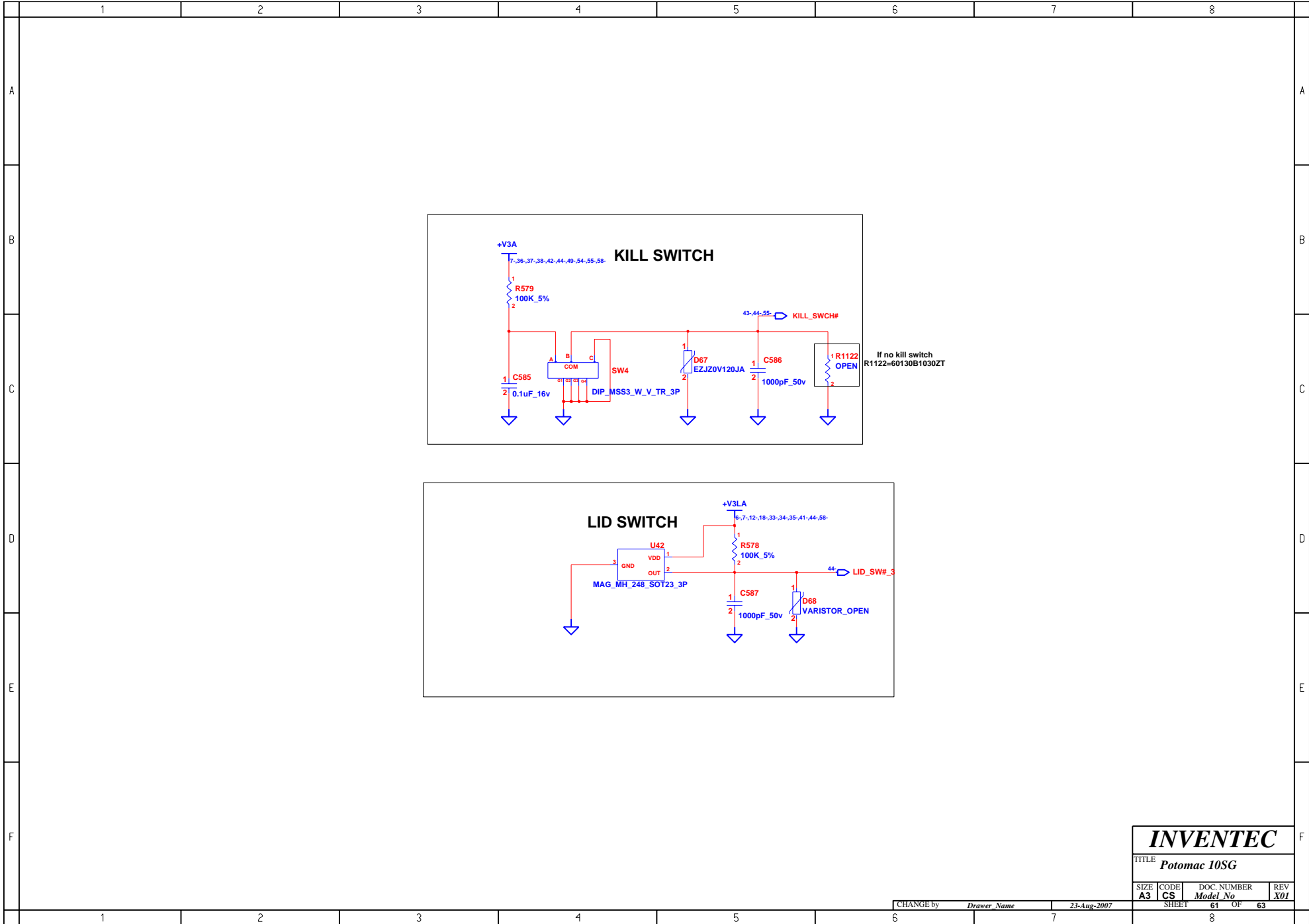
Finger Print Reader DB

INVENTEC			
TITLE <i>Potomac 10SG</i>			
SIZE A3	CODE CS	DOC. NUMBER <i>Model No</i>	REV X01
CHANGE by <i>Drawer Name</i>		23-Jan-2008	SHEET 59 OF 63

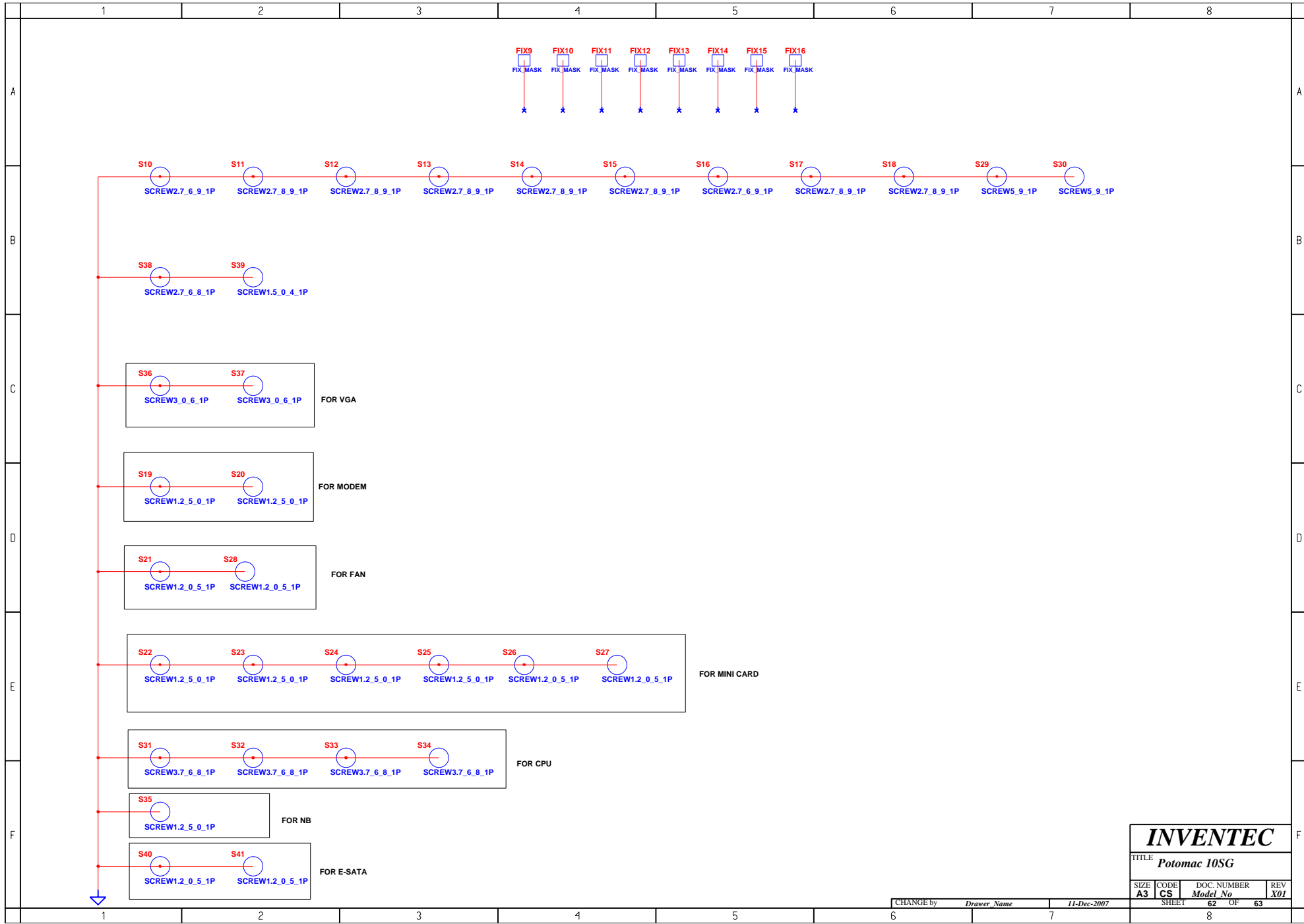


FM Tuner Board

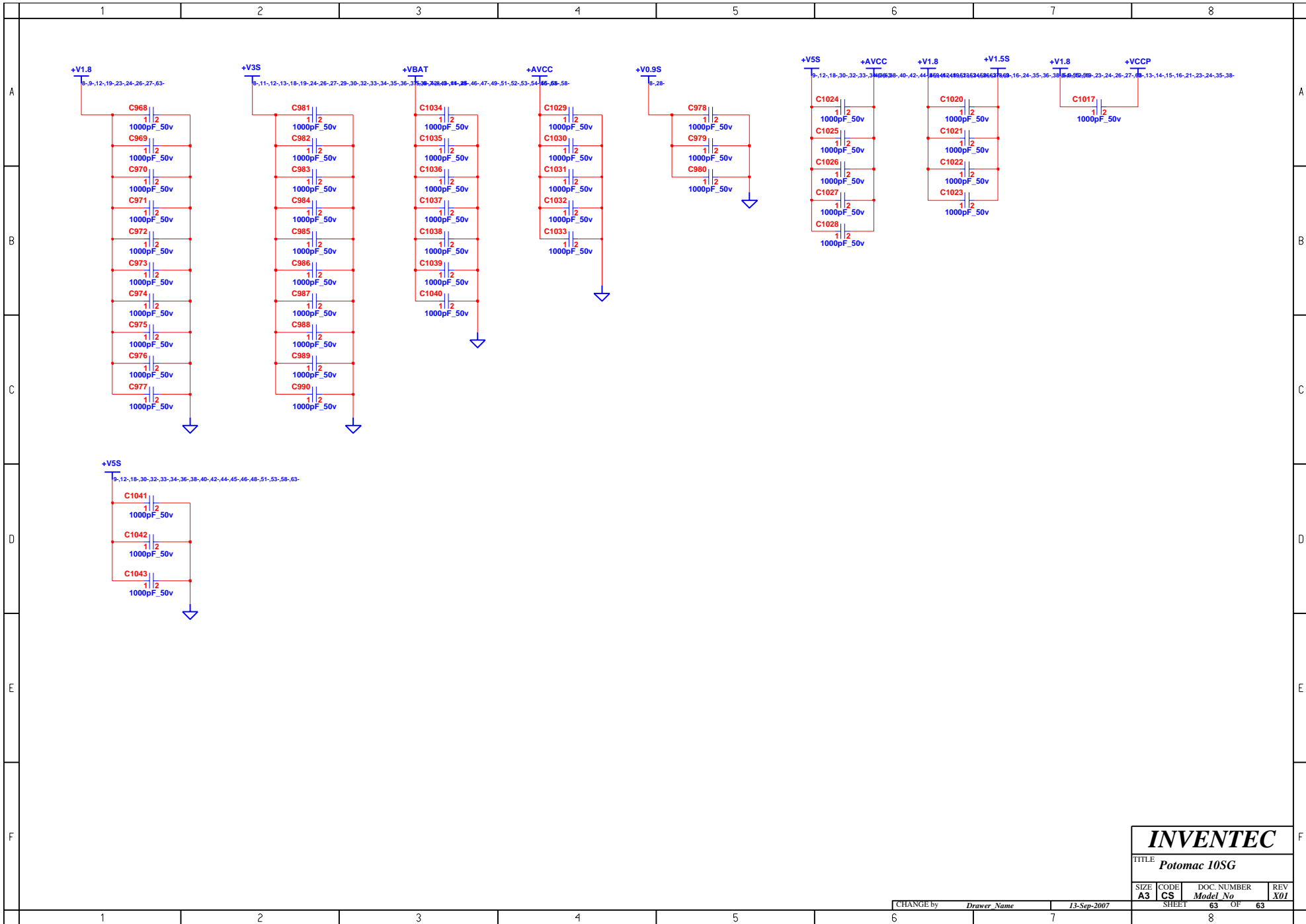
INVENTEC			
TITLE PT10SG-6050A2171301-MB-AXI-IES-20071030			
SIZE A3	CODE CS	DOC. NUMBER	REV
CHANGE by PT10SG		12-Dec-2007	SHEET 60 OF 63
		8	



INVENTEC			
TITLE <i>Potomac 10SG</i>			
SIZE A3	CODE CS	DOC. NUMBER <i>Model No</i>	REV X01
CHANGE by <i>Drawer Name</i>		23-Aug-2007	SHEET 61 OF 63



INVENTEC			
TITLE <i>Potomac 10SG</i>			
SIZE A3	CODE CS	DOC. NUMBER <i>Model No</i>	REV X01
CHANGE by <i>Drawer Name</i>		11-Dec-2007	
SHEET		62	OF 63



INVENTEC

TITLE
Potomac 10SG

SIZE A3	CODE CS	DOC. NUMBER <i>Model No</i>	REV X01
-------------------	-------------------	--------------------------------	-------------------

CHANGE by *Drawer Name* 13-Sep-2007

SHEET 63 OF 63